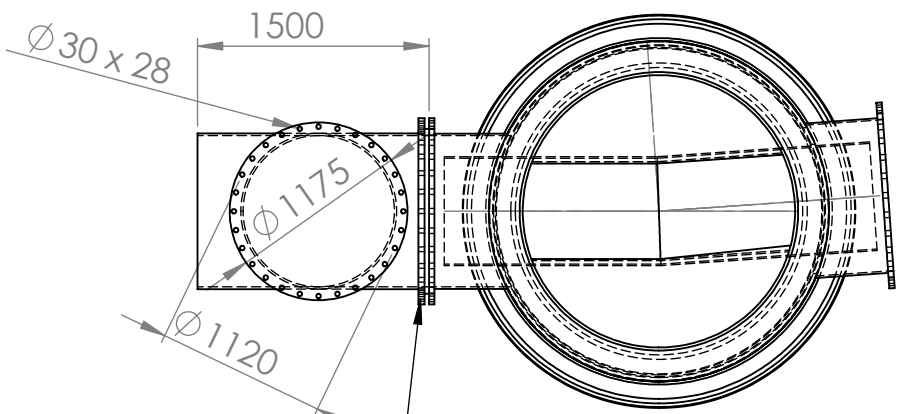
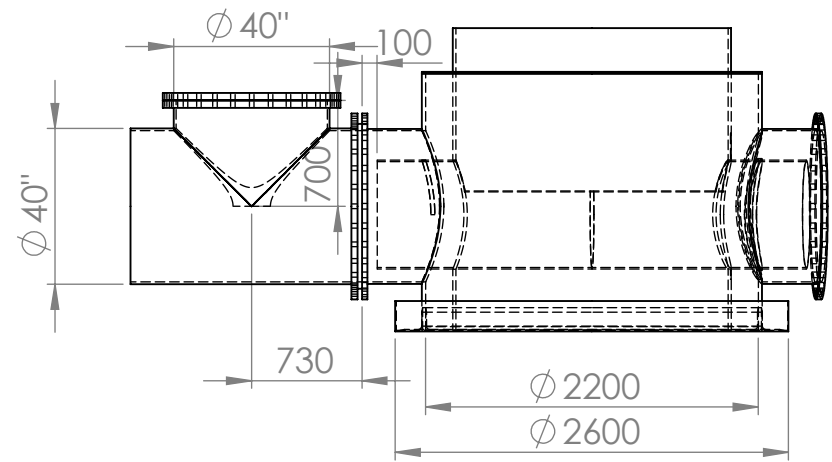


6 5 4 3 2 1



אוגן חופשי 40"

UNLESS OTHERWISE SPECIFIED: DIMENSIONS ARE IN MILLIMETERS SURFACE FINISH: TOLERANCES: LINEAR: ANGULAR:				FINISH:		DEBURR AND BREAK SHARP EDGES		DO NOT SCALE DRAWING		REVISION	
								<b>FIBERTECH</b> GRP SOLUTIONS			
								TITLE:			
								MATERIAL:			
								WEIGHT:			
								DWG. NO.		A4	
								SCALE: 1:50		SHEET 1 OF 2	

steel pipe and manhole

6 5 4 3 2 1

D  
C  
B  
A

D  
C  
B  
A

6 5 4 3 2 1

D

C

B

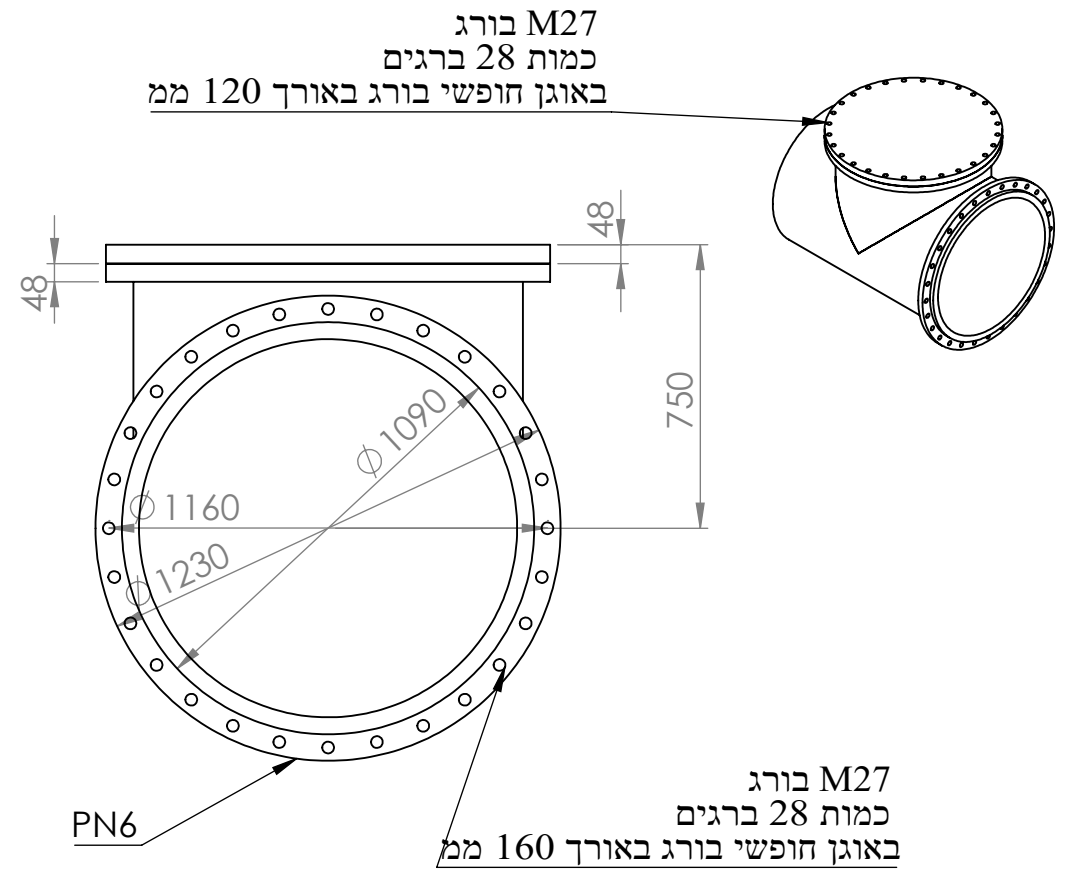
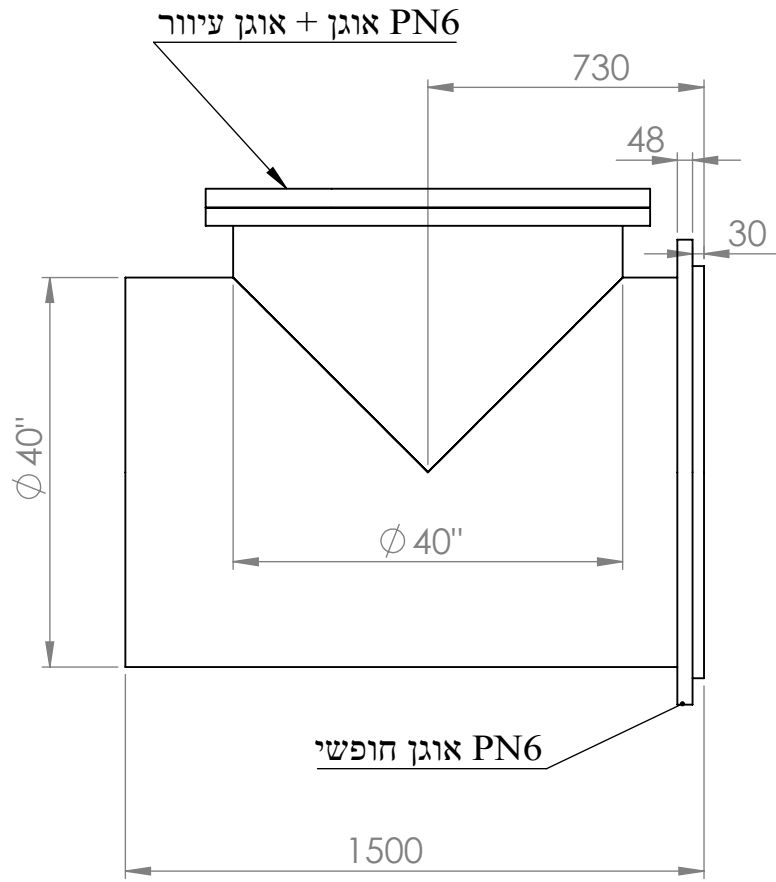
A

D

C

B

A



UNLESS OTHERWISE SPECIFIED: DIMENSIONS ARE IN MILLIMETERS SURFACE FINISH: TOLERANCES: LINEAR: ANGULAR:				FINISH:		DEBURR AND BREAK SHARP EDGES		DO NOT SCALE DRAWING		REVISION	
DRAWN				NAME		SIGNATURE		DATE		TITLE:	
CHK'D											
APPV'D											
MFG											
Q.A								MATERIAL:		DWG. NO.	
										steel pipe and manhole	
								WEIGHT:		SCALE: 1:50	
										SHEET 2 OF 2	

6 5 4 3 2 1

steel pipe and manhole

A4