

6
5
4
3
2
1

D

C

B

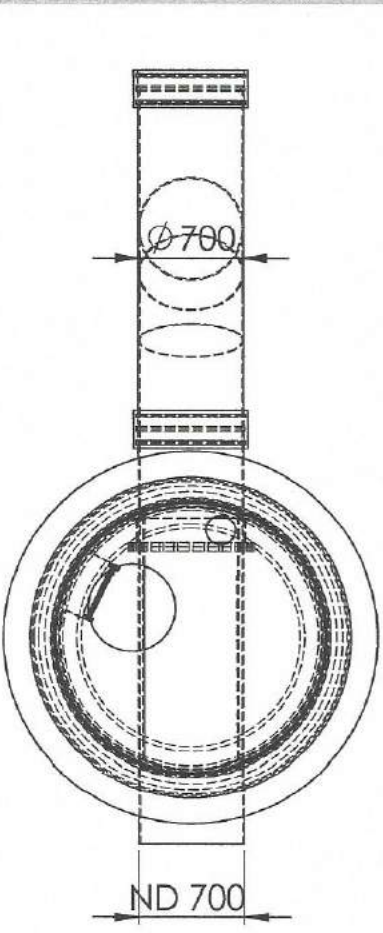
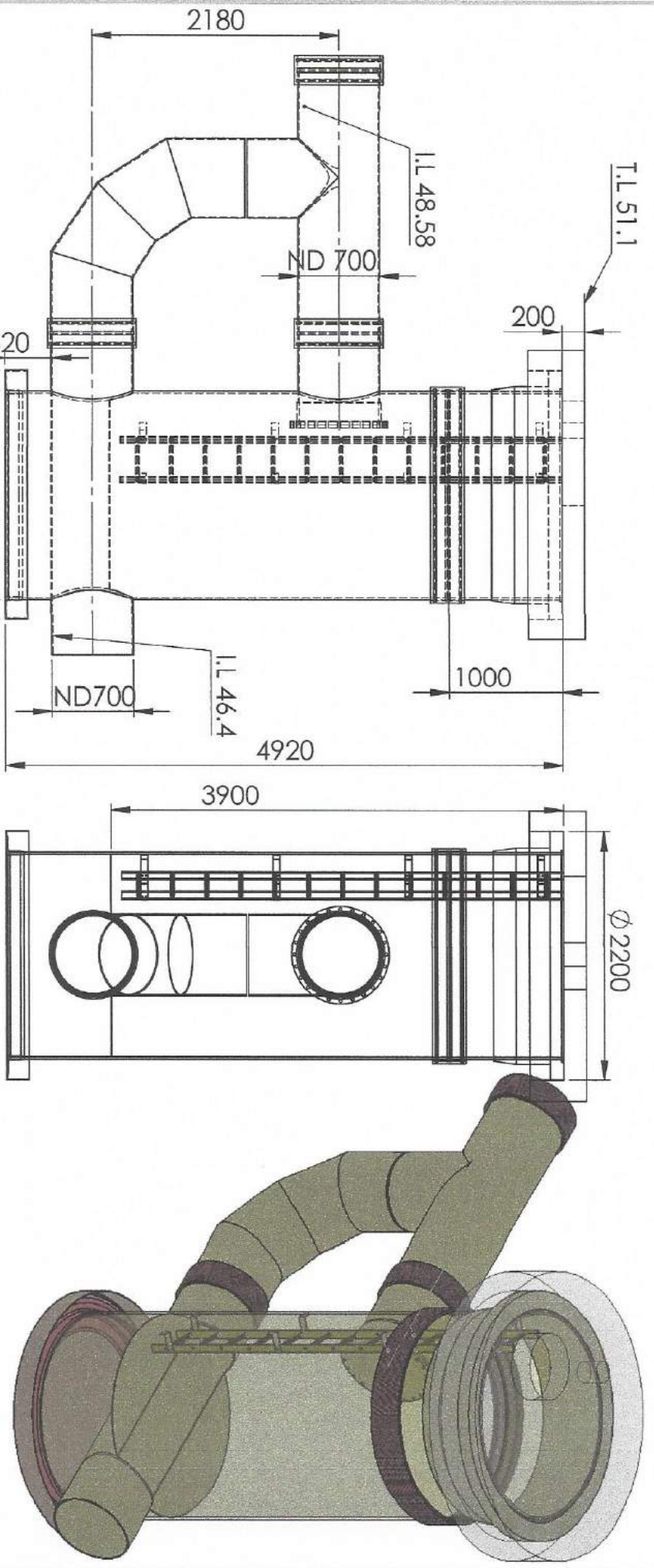
A

D

C

B

A



משרד המים והביטוח
מחלקת תכנון ותכנון
מס' תכ. 51472865
22/3/2020

DO NOT SCALE DRAWING

REVISION

TITLE:

B1 Manhole Section view

DWG NO.:

B1-100-02

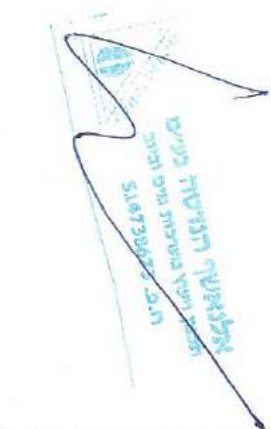
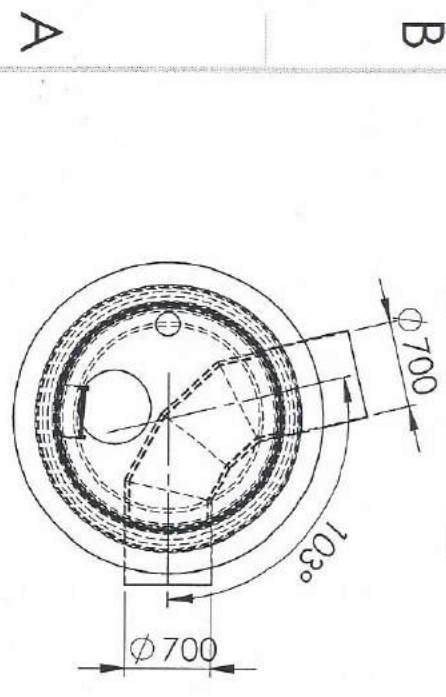
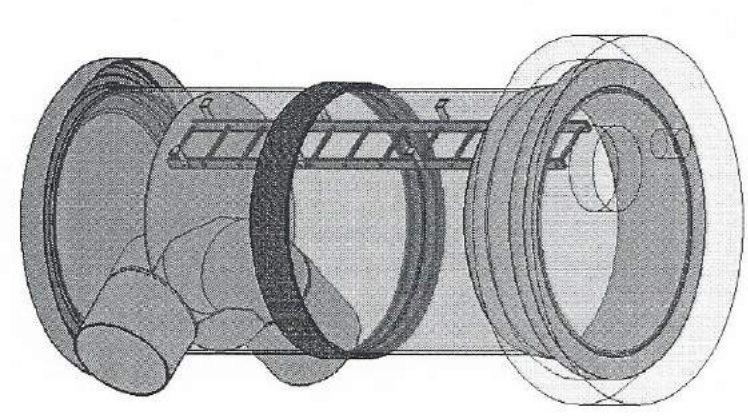
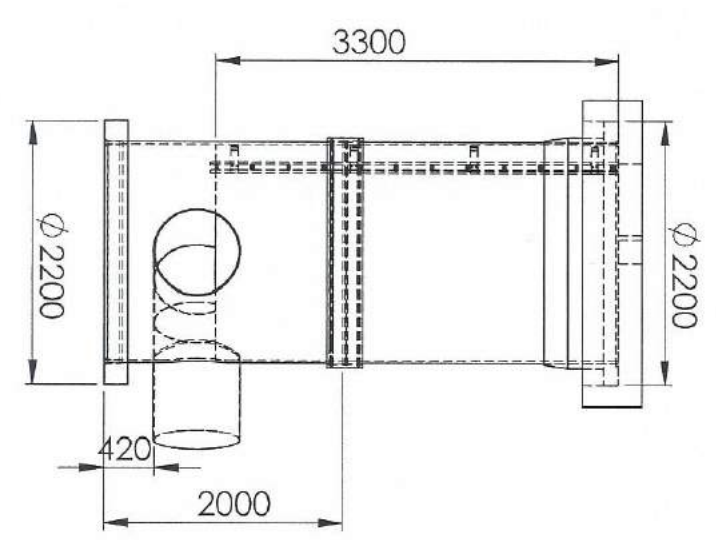
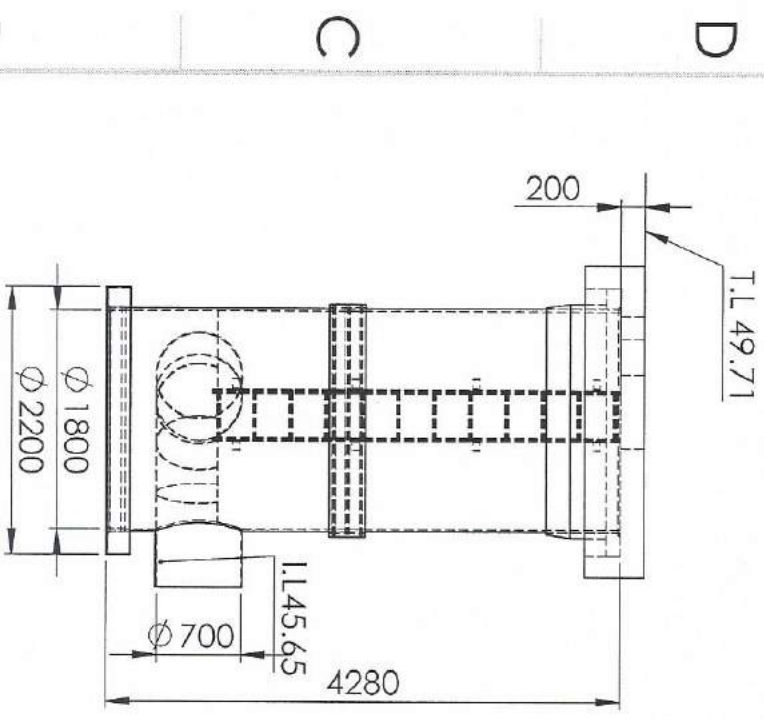
A4

SCALE:1:100

SHEET 22 OF 22

6
5
4
3
2
1

6 5 4 3 2 1



DO NOT SCALE DRAWING

REVISION

TITLE
B2 Manhole Section view

DWG NO.
B2-100-02

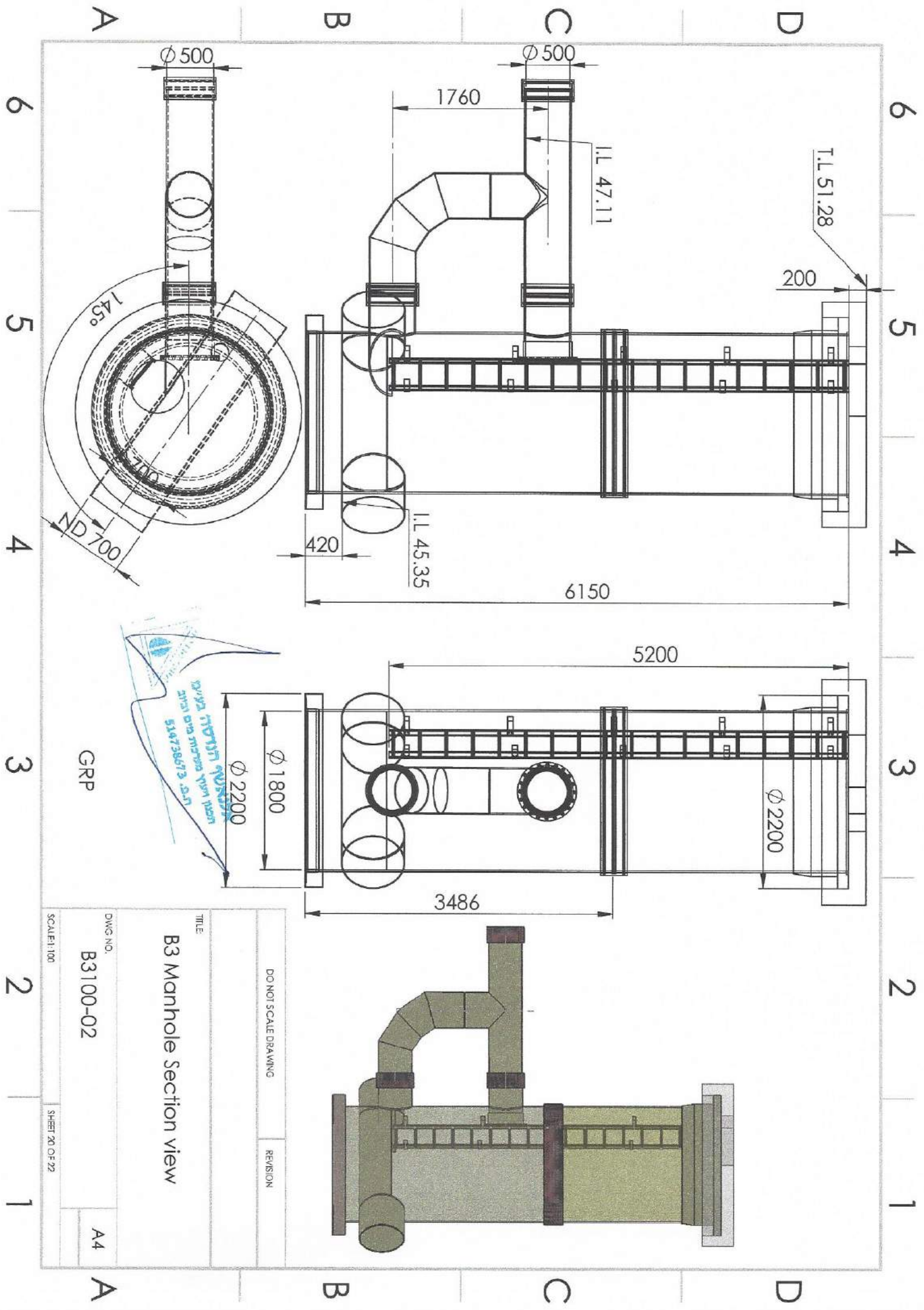
A4

SCALE:1:100

SHEET 21 OF 22

6 5 4 3 2 1

A B C D



משרד הנדסה ומבנה
 תחנת טיהור מים ירושלים
 ת.ד. 514736/73 א.ת.

GRP

DO NOT SCALE DRAWING

REVISION

TITLE:
B3 Manhole Section view

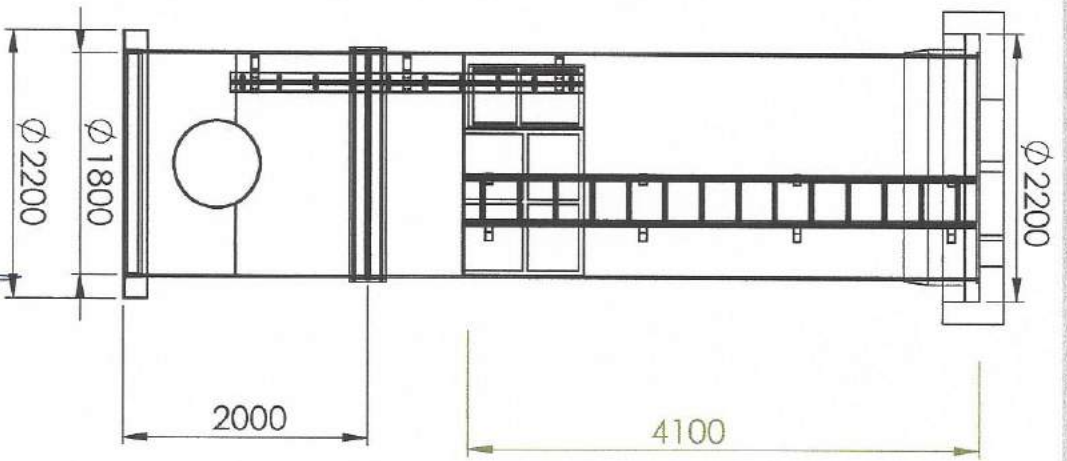
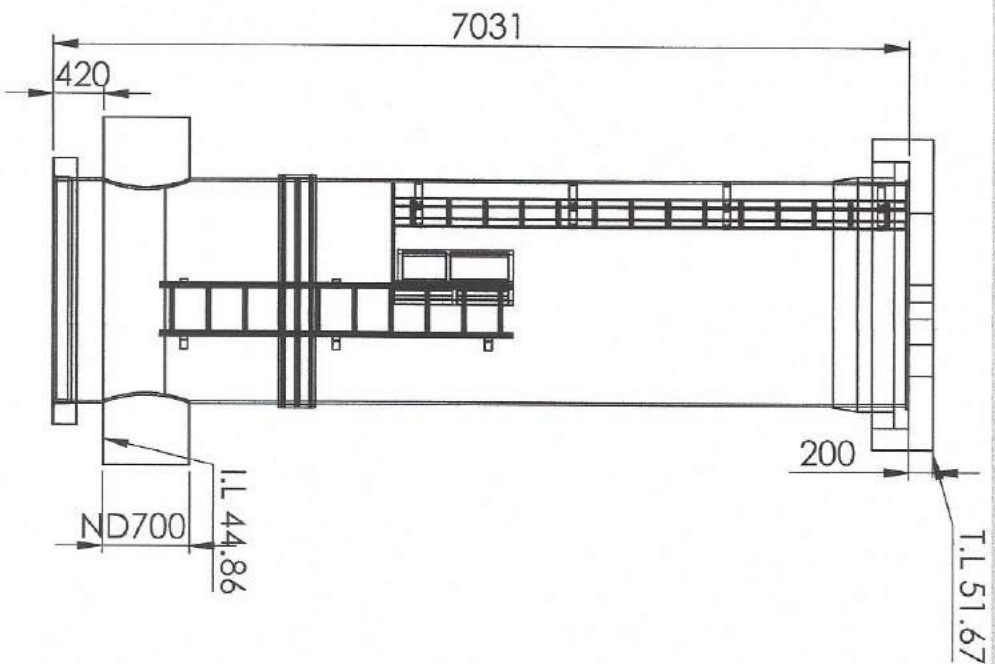
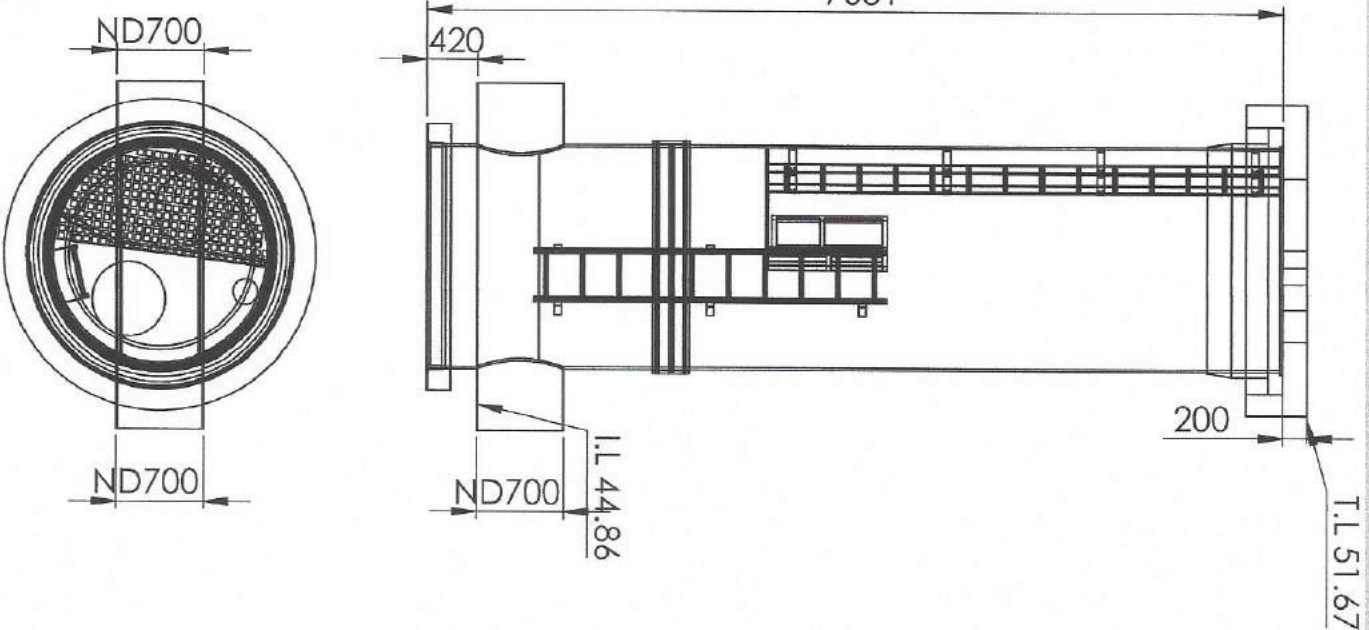
DWG NO.
B3100-02

A4

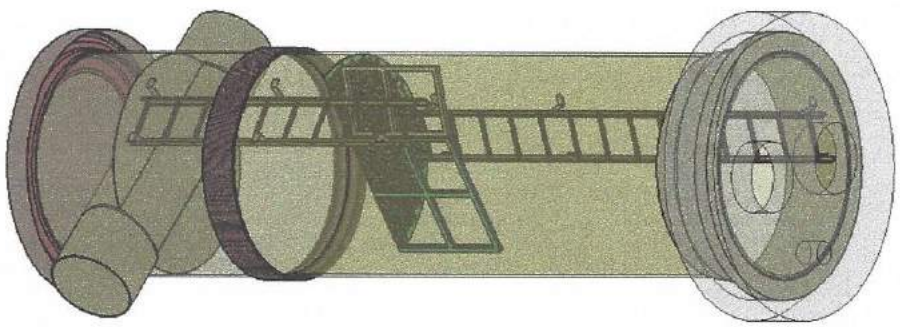
SCALE: 1:100

SHEET 20 OF 22

6 5 4 3 2 1



Handwritten note in blue ink: "B4 Manhole Section view" with a blue arrow pointing to the side elevation view.



DO NOT SCALE DRAWINGS

REVISION

TITLE

B4 Manhole Section view

DWG. NO.

B4-100-02

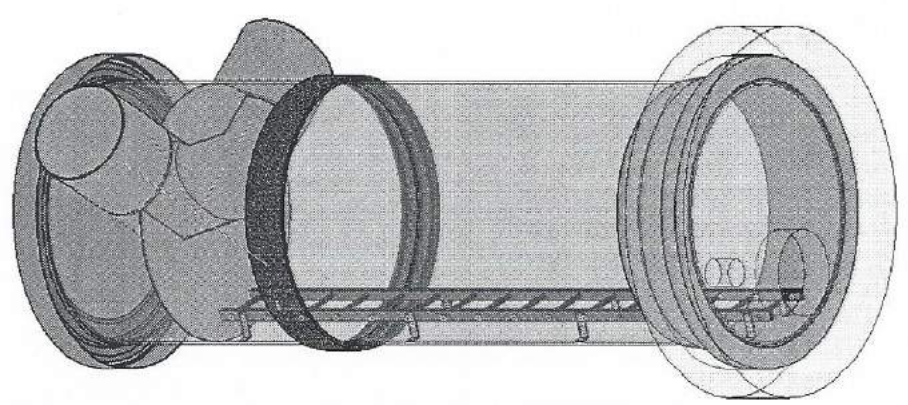
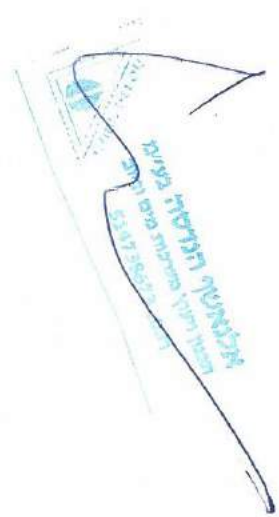
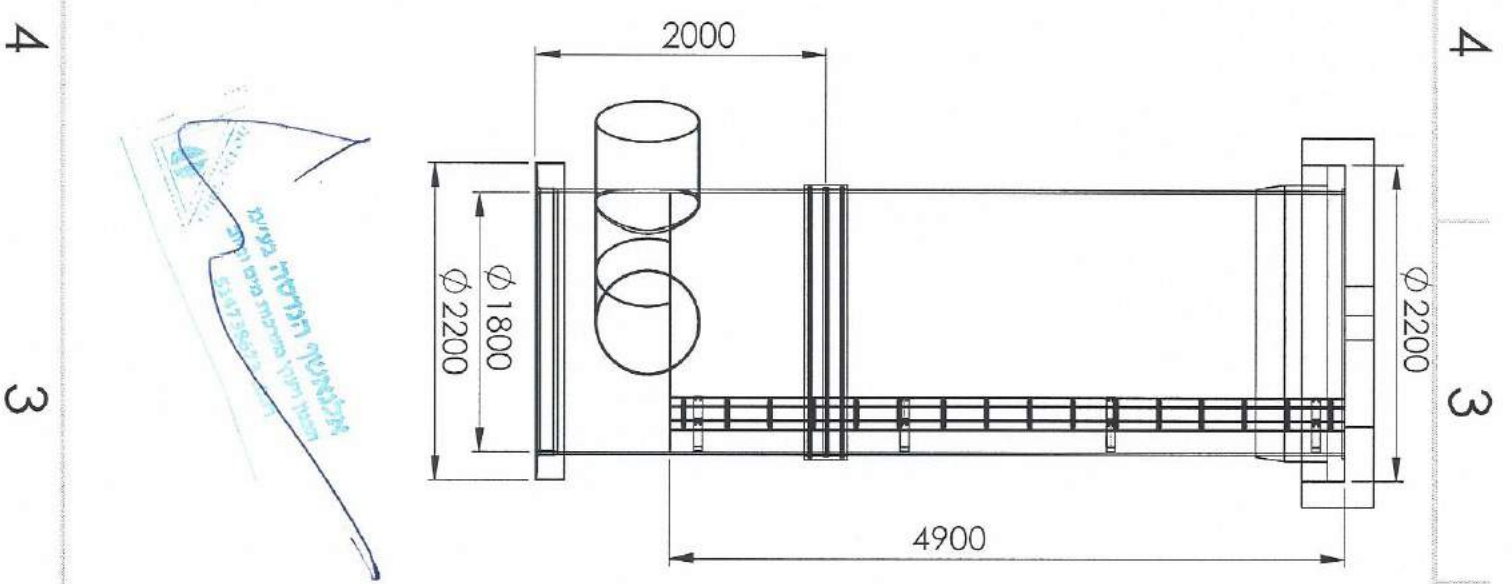
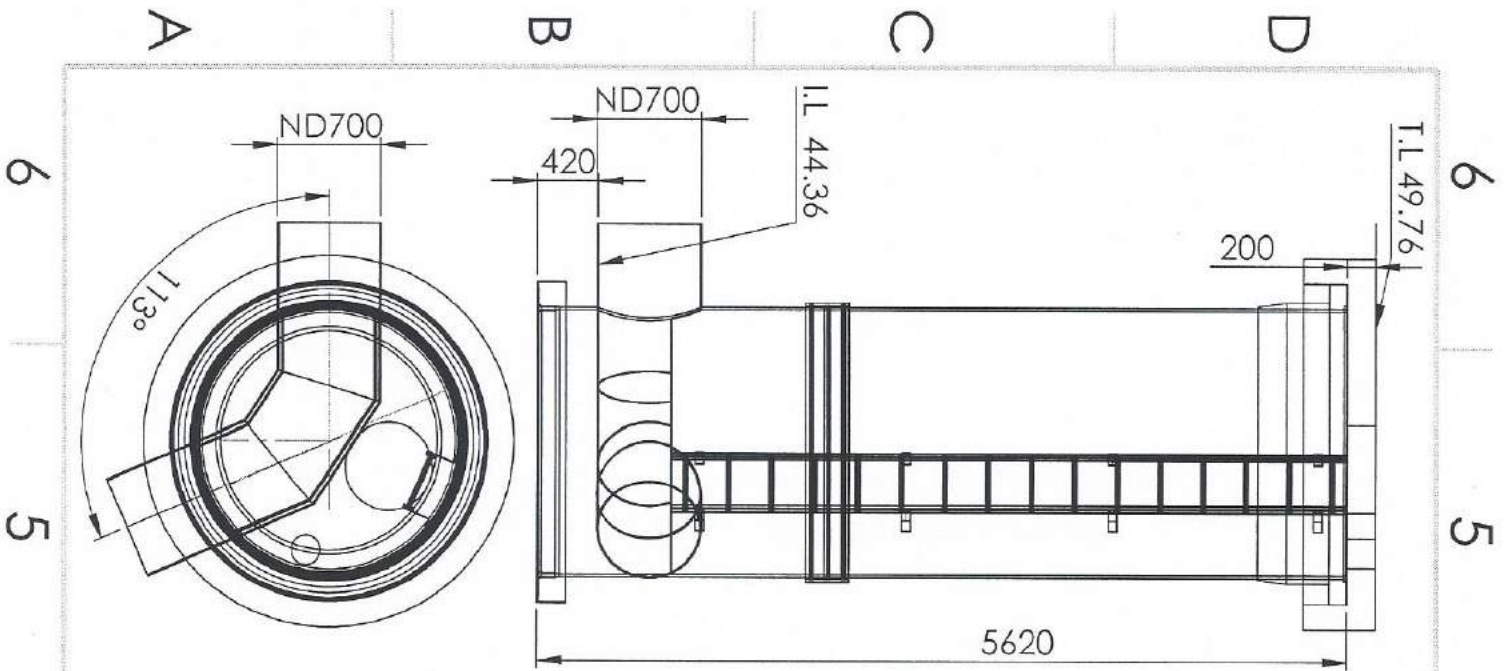
SCALE: 1:100

SHEET 19 OF 22

A4

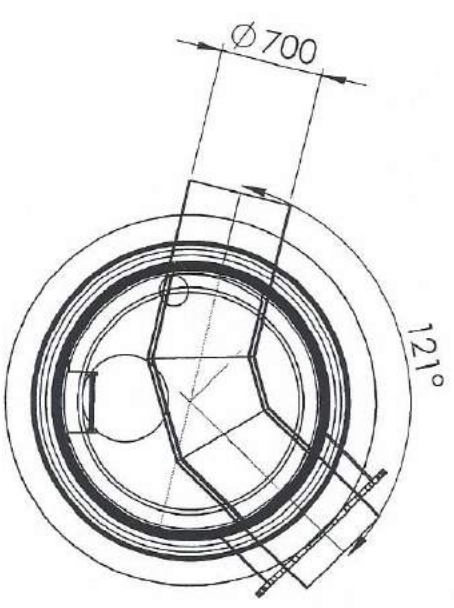
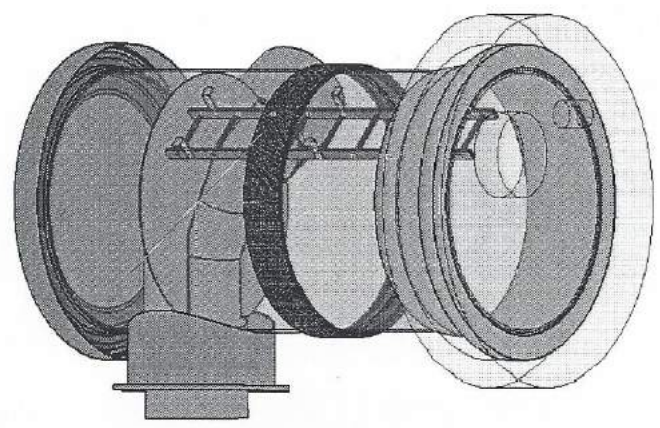
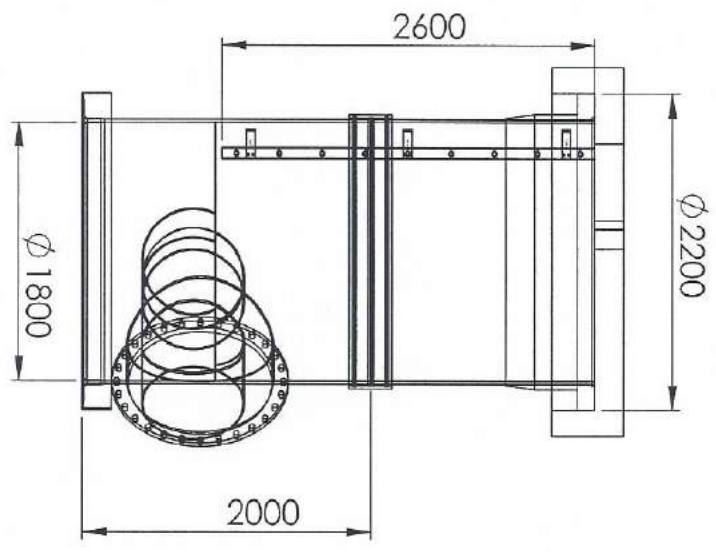
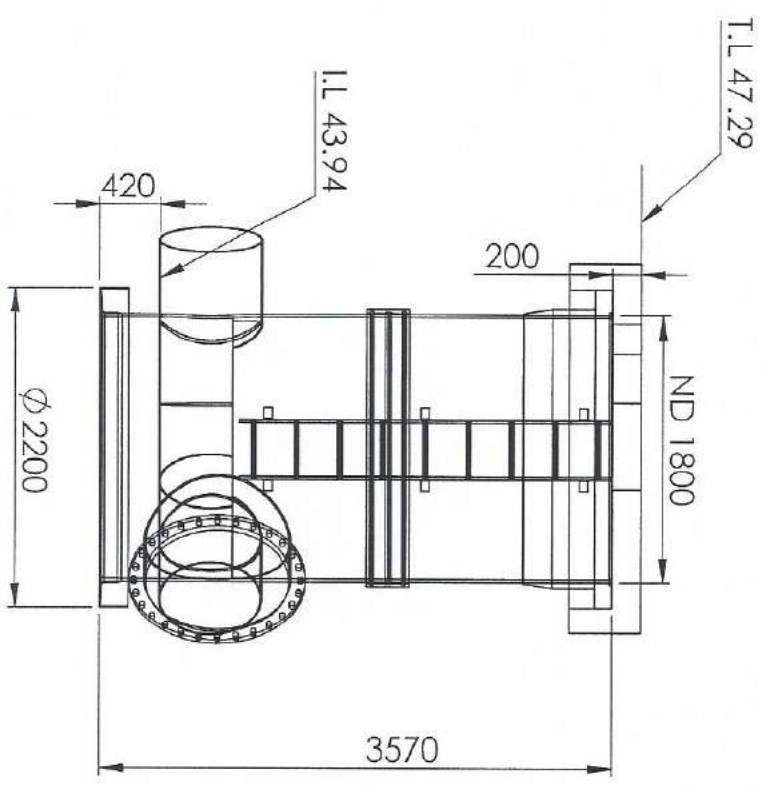
A

6 5 4 3 2 1



DO NOT SCALE DRAWING		REVISION
TITLE: B5 Manhole Section view		
DWG NO. B5-100-02		A4
SCALE: 1:100		SHEET 18 OF 22

6 5 4 3 2 1



Сделано в соответствии с требованиями
 ГОСТ 21433-2011 и ГОСТ 21434-2011
 на изделия из полимерных материалов
 для канализационных колодезных
 сооружений

DO NOT SCALE DRAWING

REVISION

TITLE: B6 Manhole Section view

DWG NO: B6-100-02

SCALE: 1:100

SHEET 17 OF 22

A4

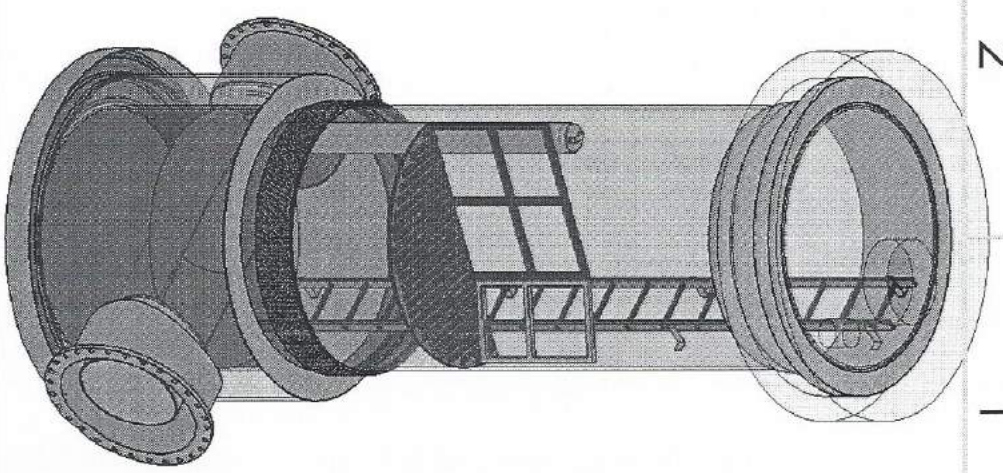
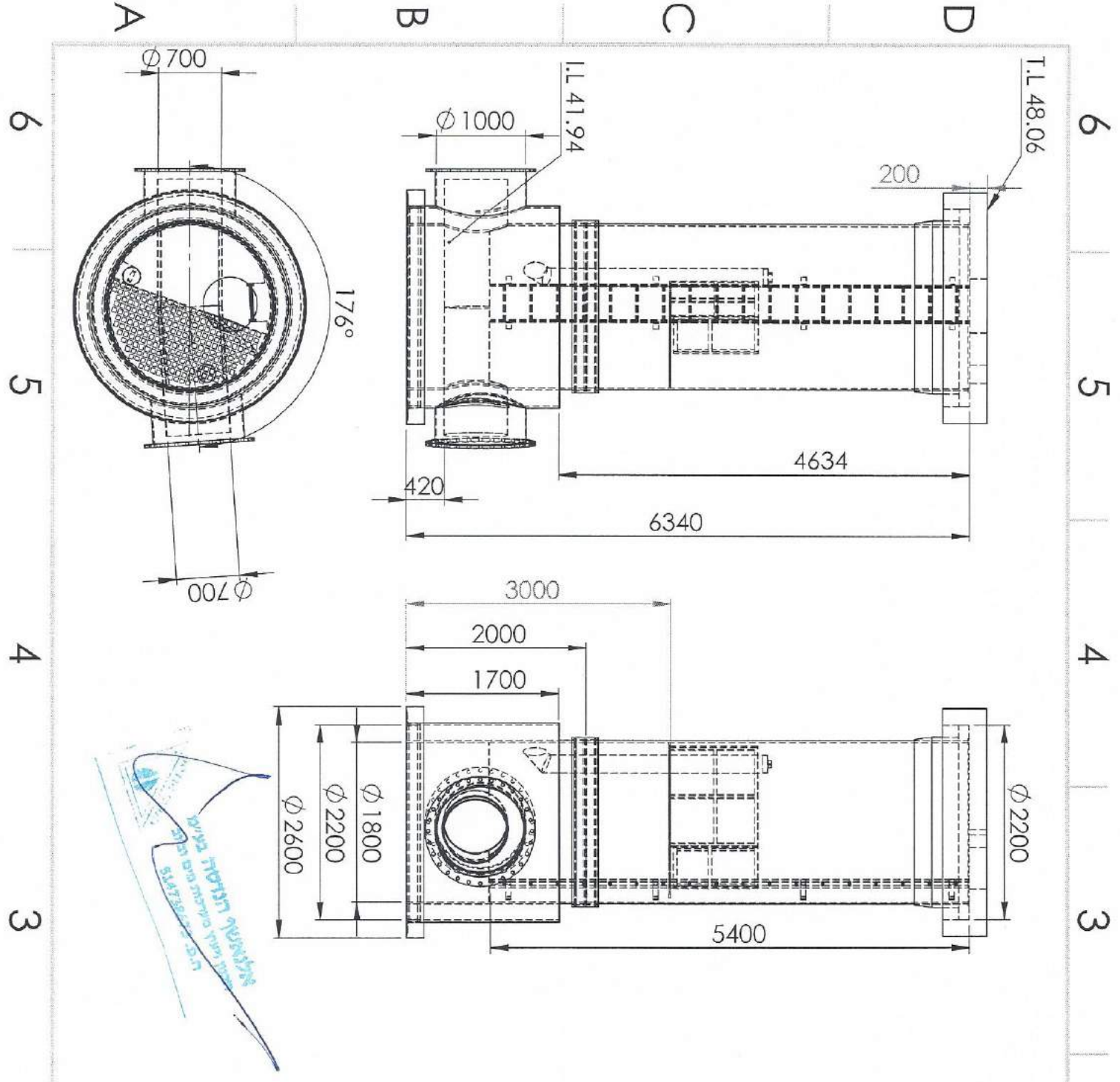
6 5 4 3 2 1

A

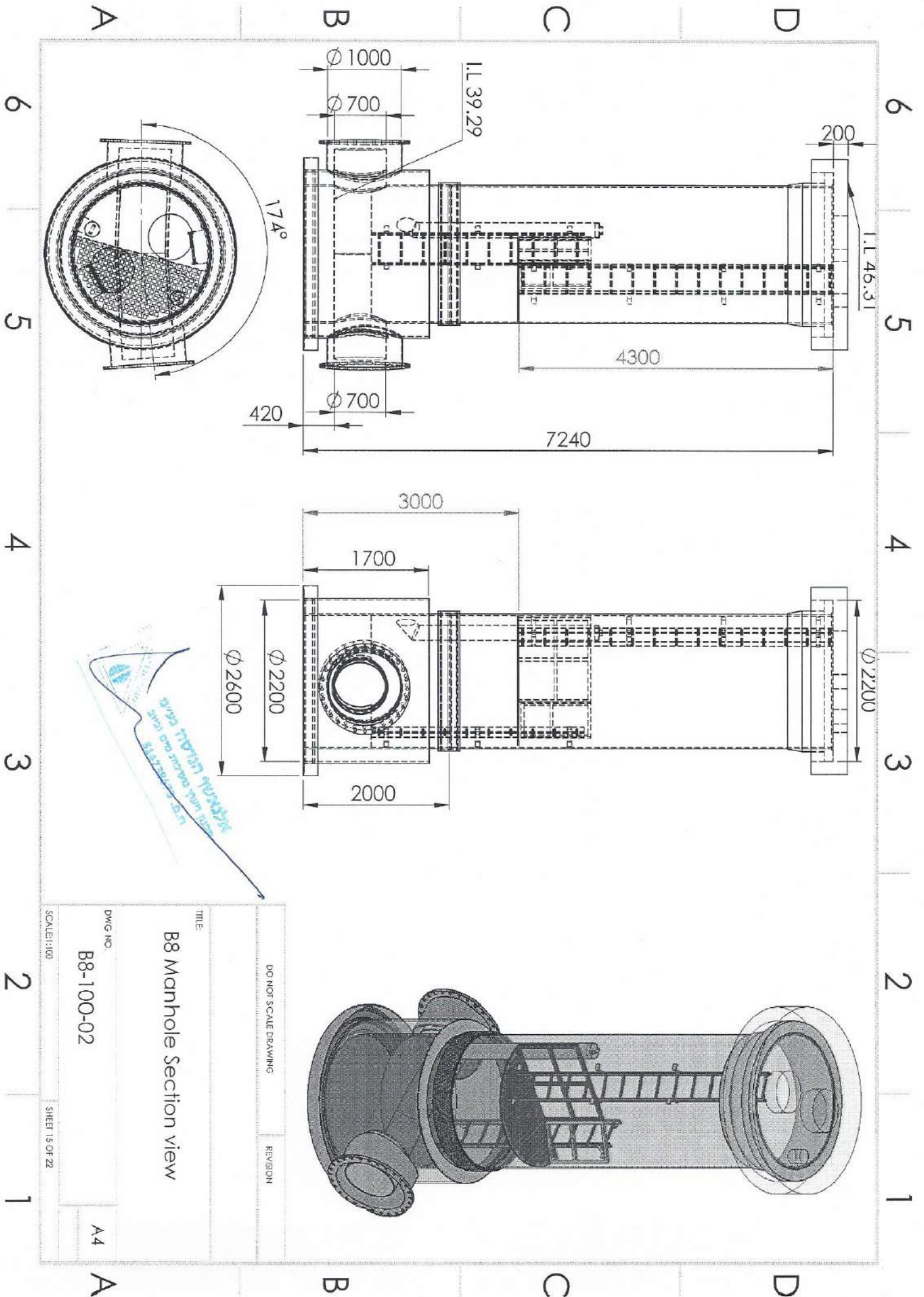
B

C

D



DO NOT SCALE DRAWING		REVISION
TITLE: B7 Manhole Section view		
DWG NO.: B7-100-02		
SCALE:1:100		
A4		SHEET 16 OF 22



משרד המים והביטוח
 מנהל מחוז תל אביב
 תחנת מים תל אביב
 ת.ד. 1577
 תל אביב 6100000

DO NOT SCALE DRAWING

REVISION

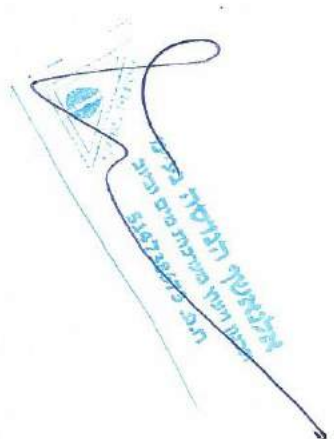
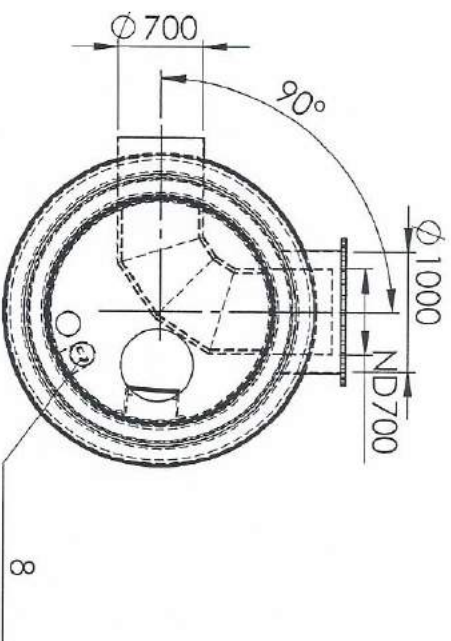
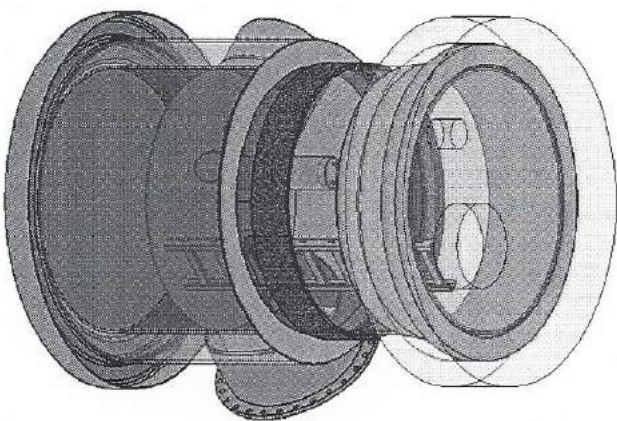
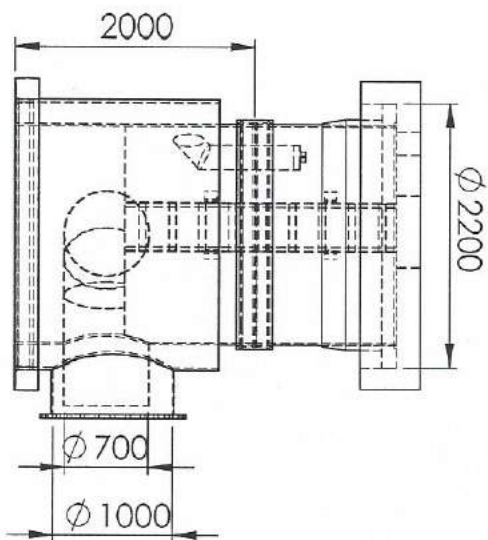
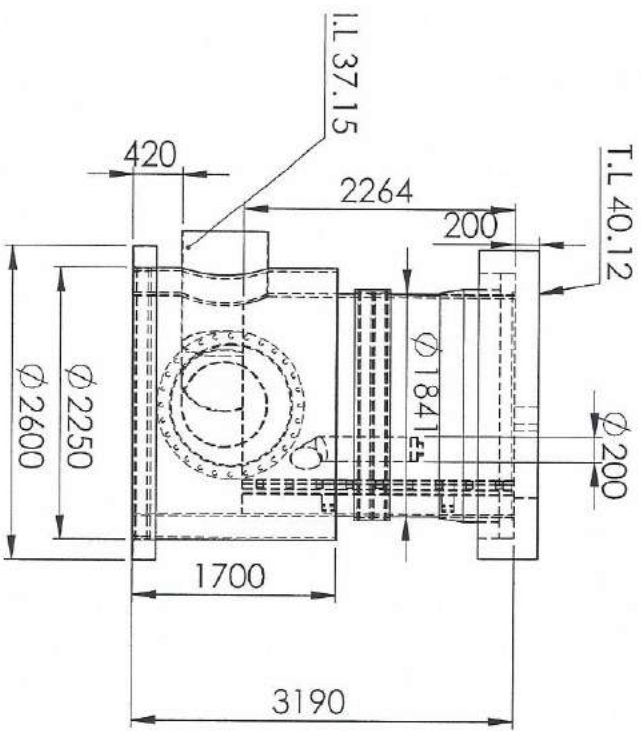
TITLE:
B8 Manhole Section view

DWG NO.
B8-100-02

SCALE: 1:100

SHEET 15 OF 22

A4



DO NOT SCALE DRAWING

REVISION

TITLE:

9 Manhole Section view

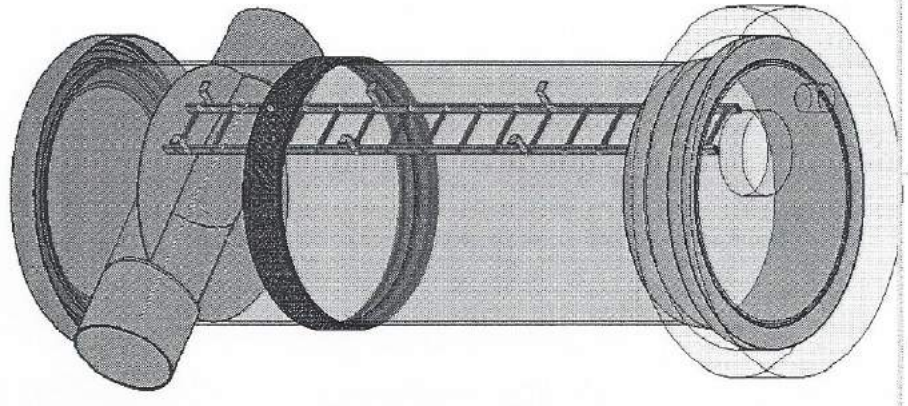
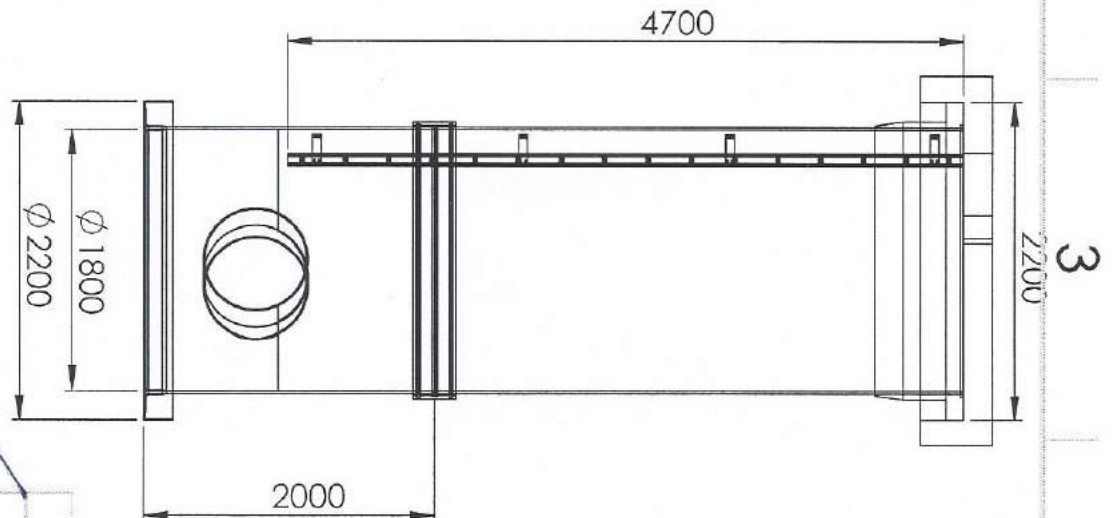
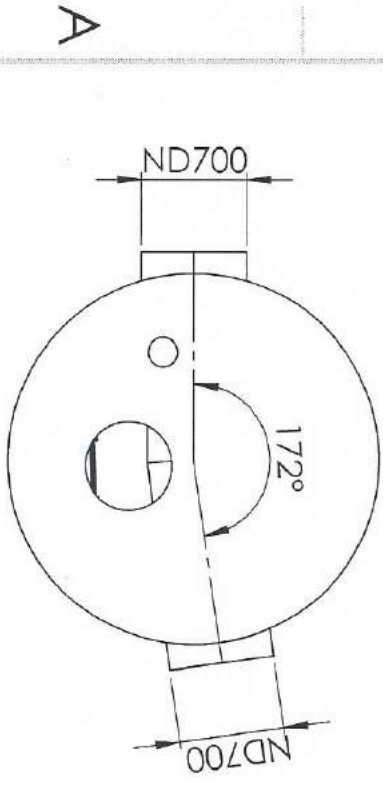
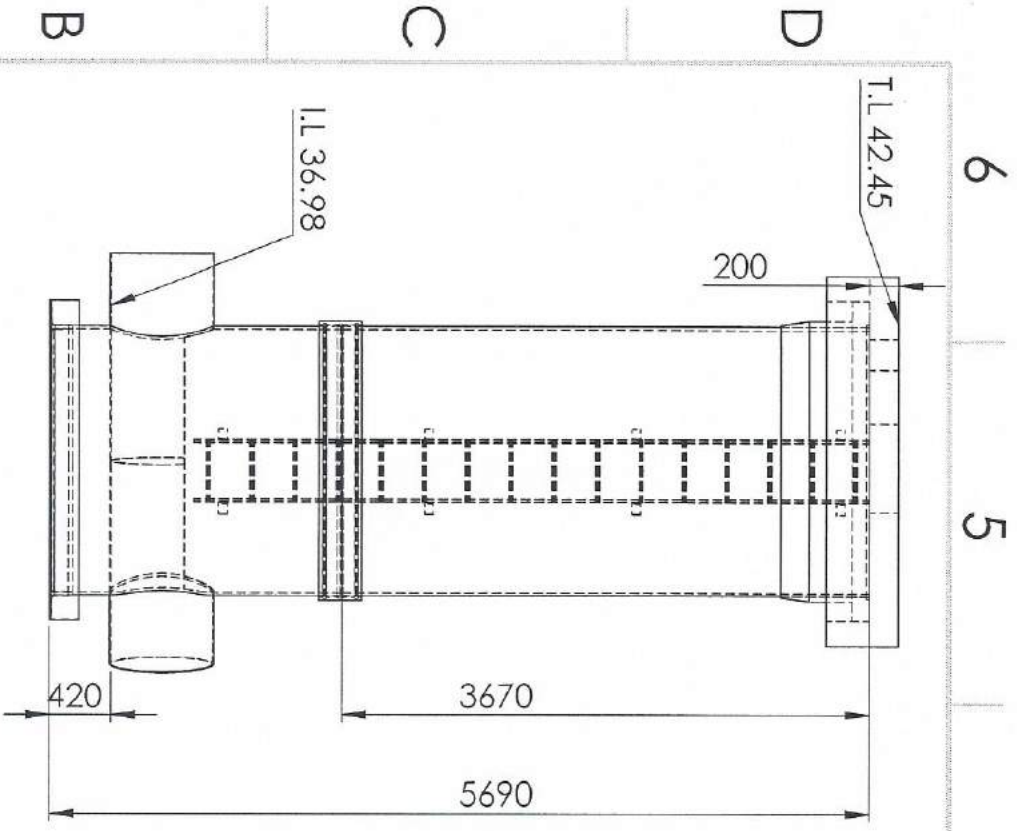
DWG NO.

B9-100-02

SCALE:1:100

SHEET 14 OF 22

A4



GRP

DO NOT SCALE DRAWING

REVISION

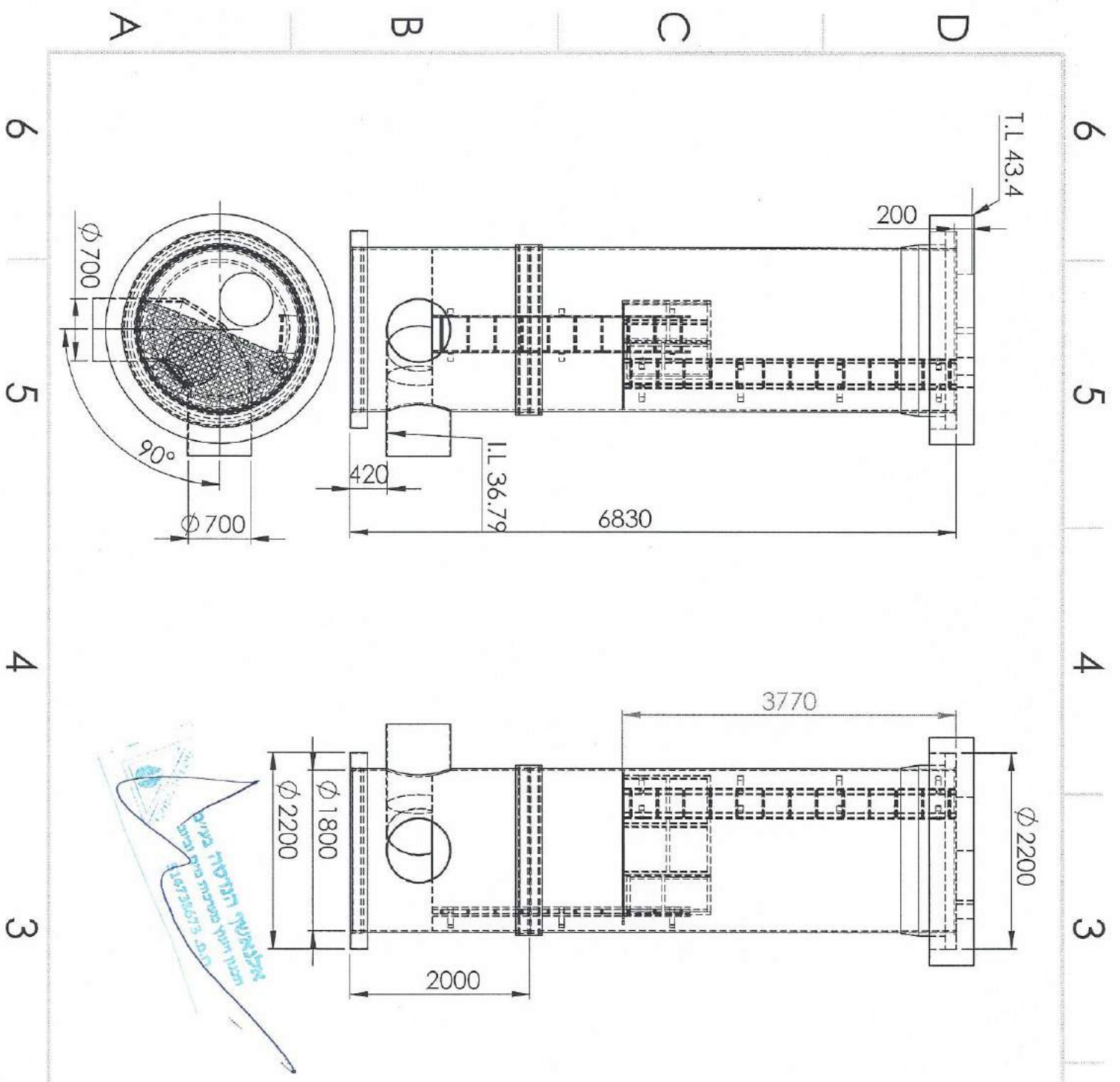
TITLE:
B10 Manhole Section view

DWG NO.
B10-100-02

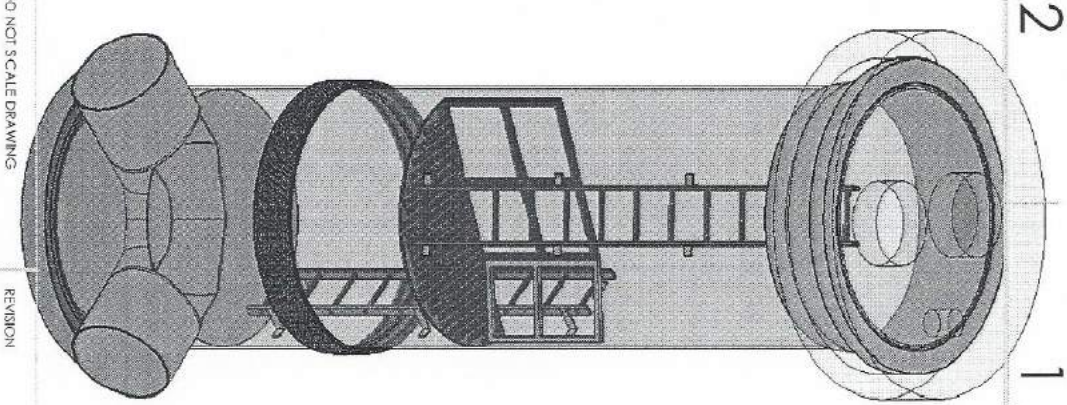
A4

SCALE: 1:100

SHEET 13 OF 22



משרד הנדסה וקונסטרוקציה
 ת.ד. 11497300975015 סניף 507
 תל אביב



DO NOT SCALE DRAWING		REVISION
TITLE: B11 Manhole Section view		
DWG NO: B11-100-02	SCALE:1:100	SHEET 12 OF 22
A4		

6 5 4 3 2 1

T.L. 38.99

200

I.L. 35.98

420

2300

3230

2200

2000

Ø 2200

Ø 1800

A

B

C

D

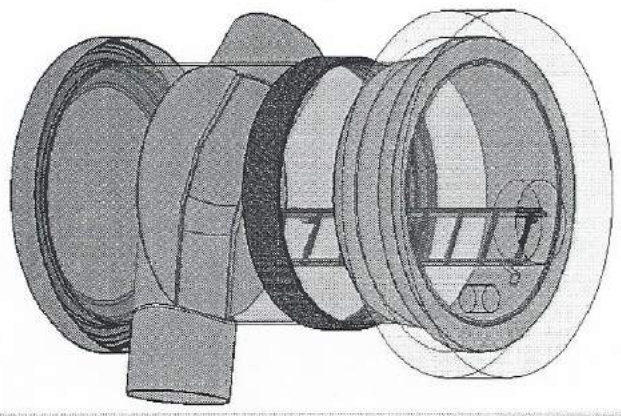
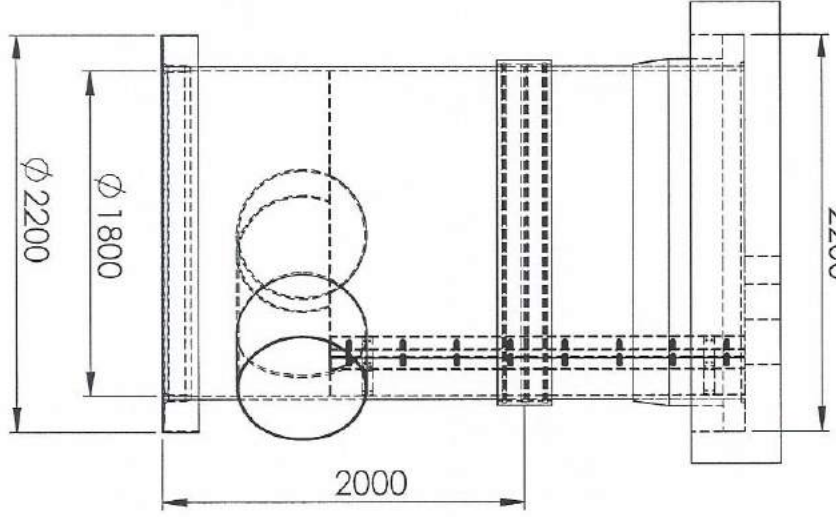
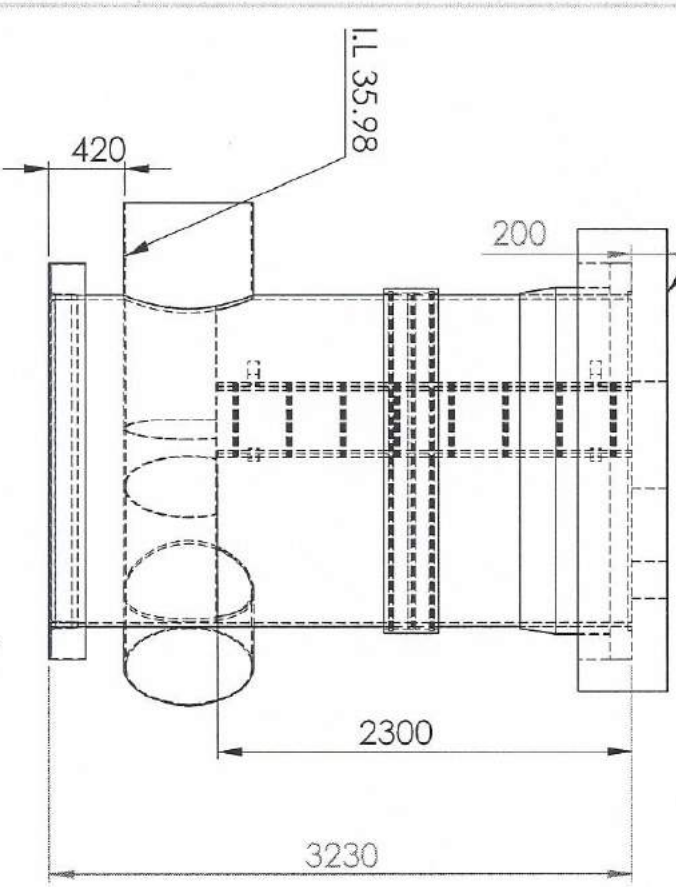
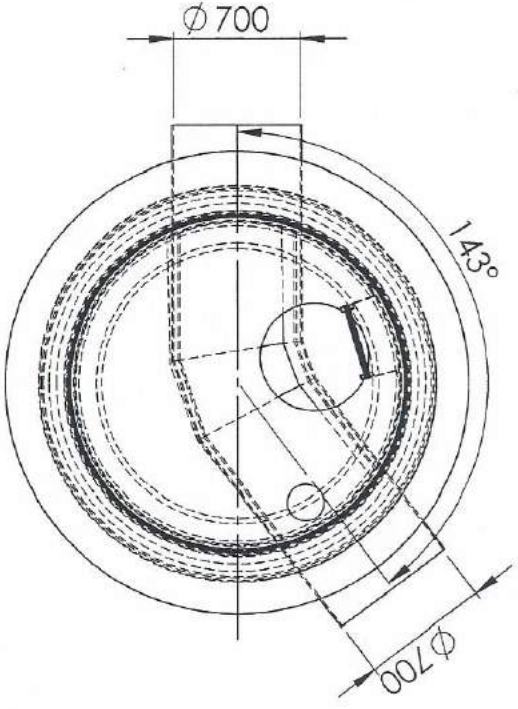
A

B

C

D

6 5 4 3 2 1



B12 Manhole Section view

DWG NO. B12-100-02

A4

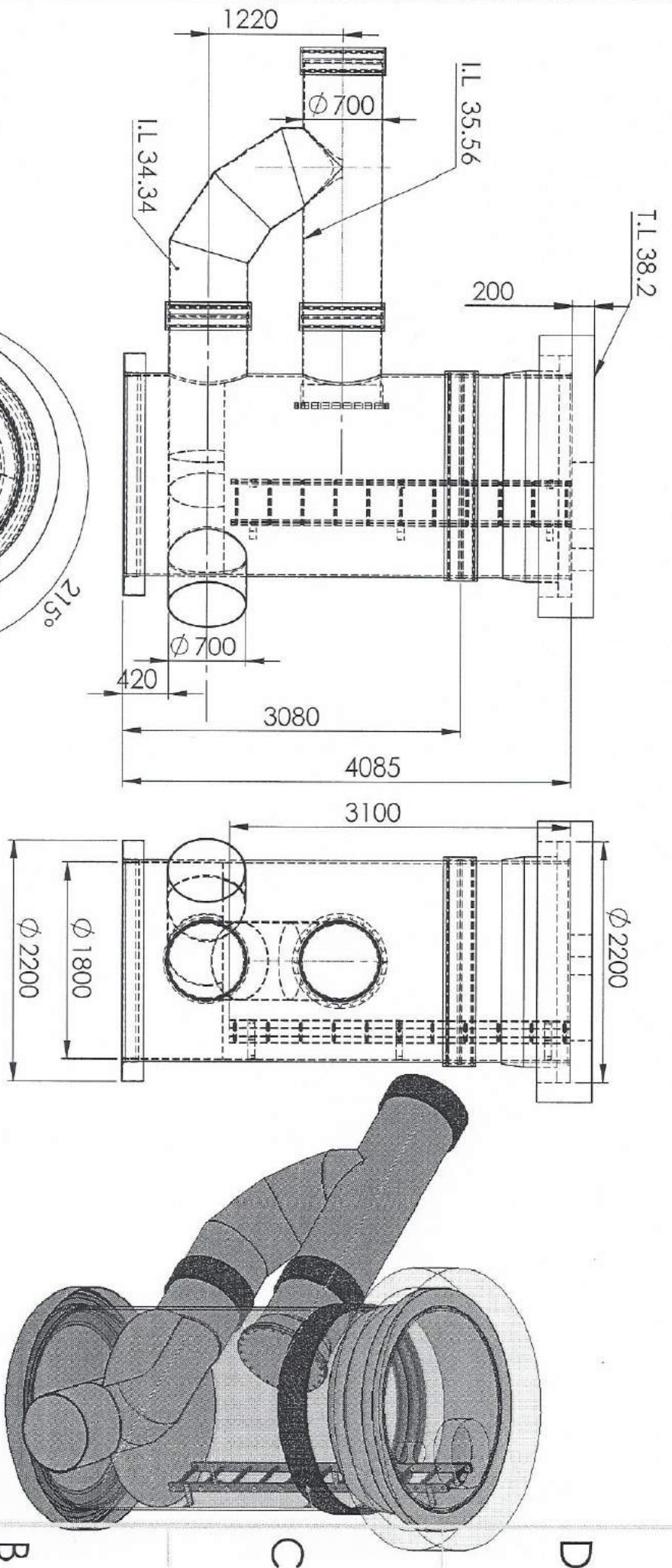
SCALE: 1:00

SHEET 11 OF 22

DO NOT SCALE DRAWING

REVISION

TITLE



GRP

TITLE:
B13 Manhole Section view

DWG NO.
B13-100-02

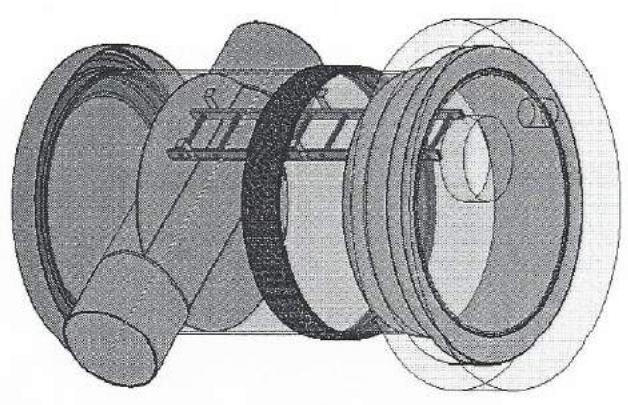
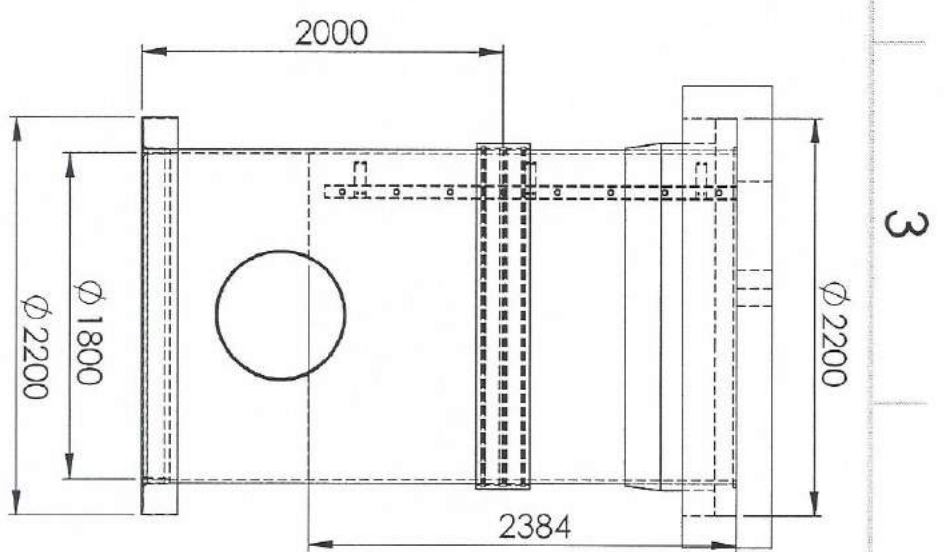
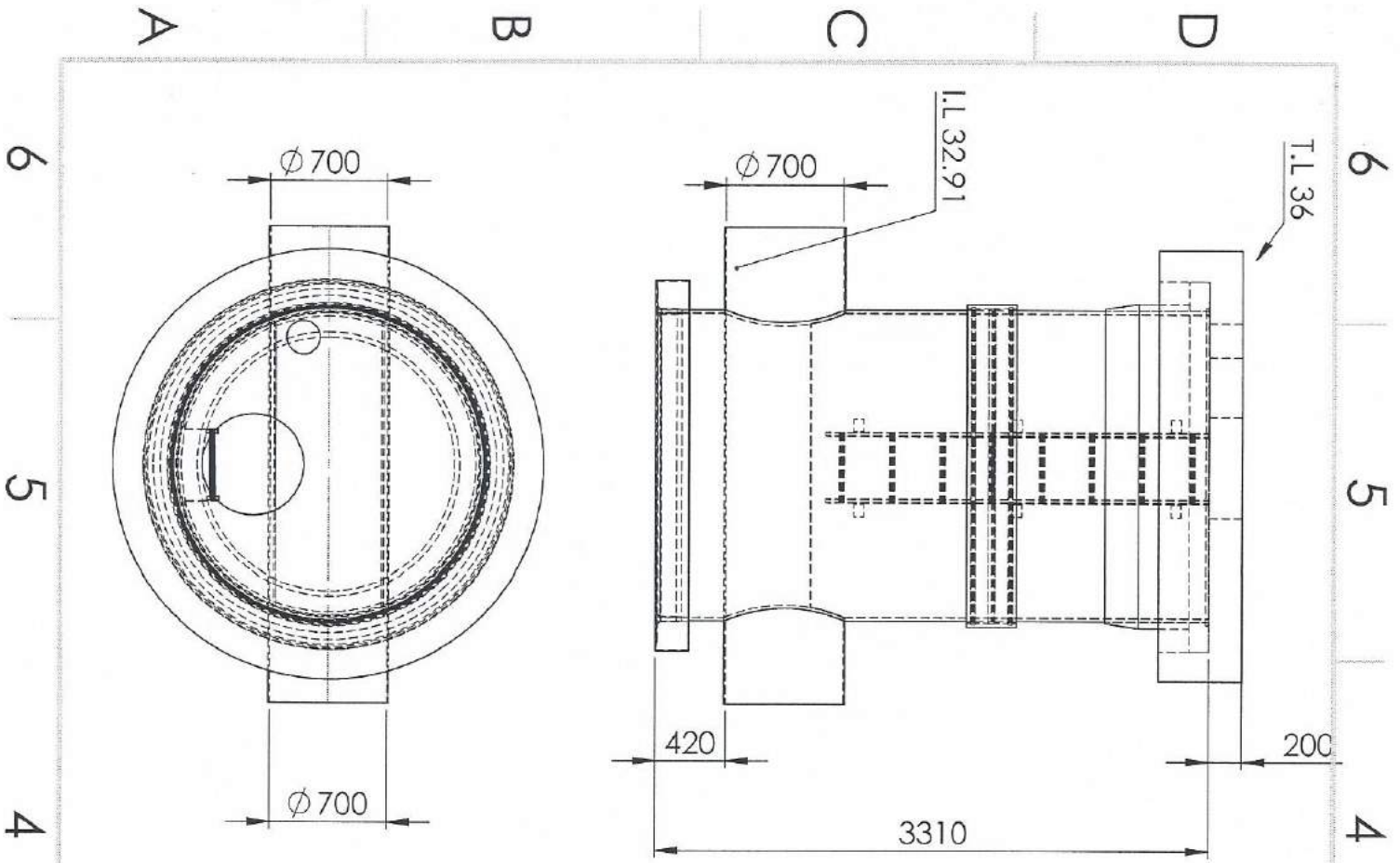
SCALE: 1:100

SHEET 10 OF 22

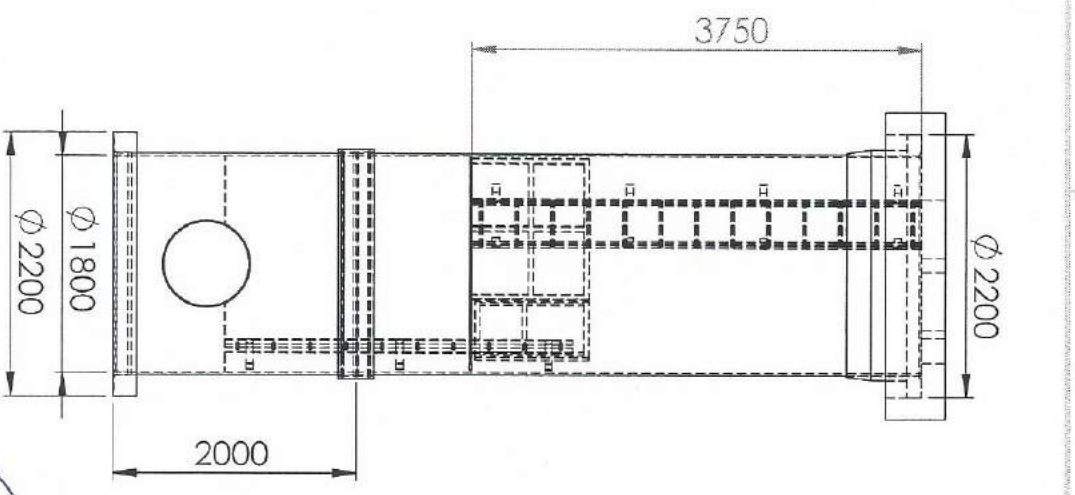
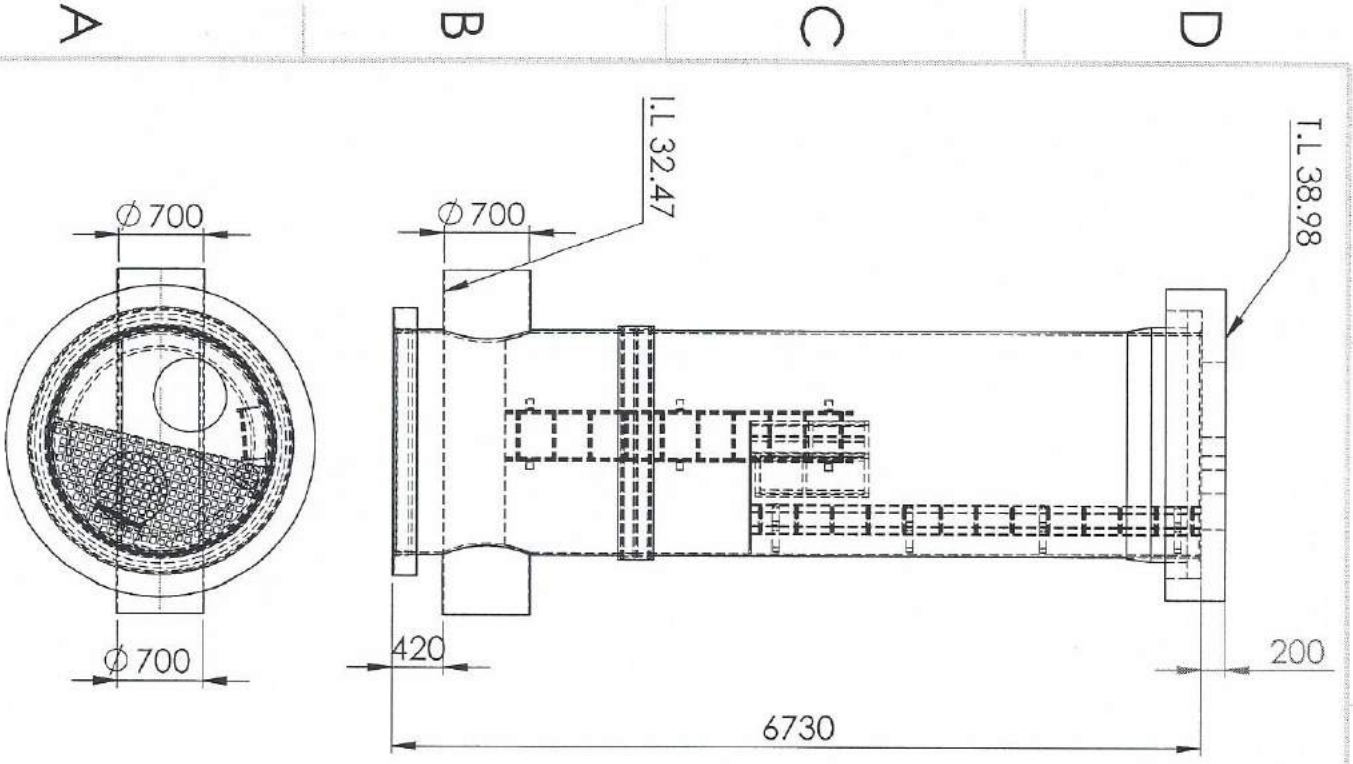
A4

DO NOT SCALE DRAWING

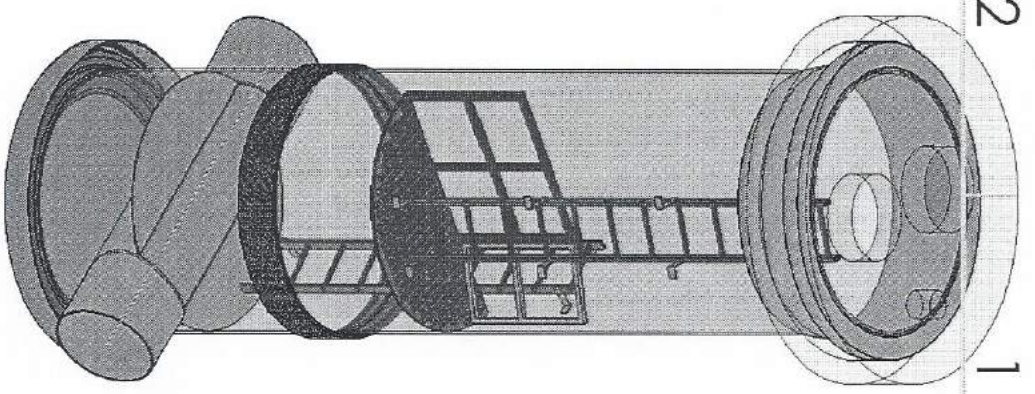
REVISION



DO NOT SCALE DRAWING		REVISION
TITLE		
B14 Manhole Section view		
DWG NO.		A4
B14-100-02		
SCALE:1:100		SHEET 9 OF 22



משרד המבנים והתשתיות
 מנהל תכנון ומבנה
 ת.ד. 527
 תל אביב-יפו



DO NOT SCALE DRAWING

REVISION

TITLE

B15 Manhole Section view

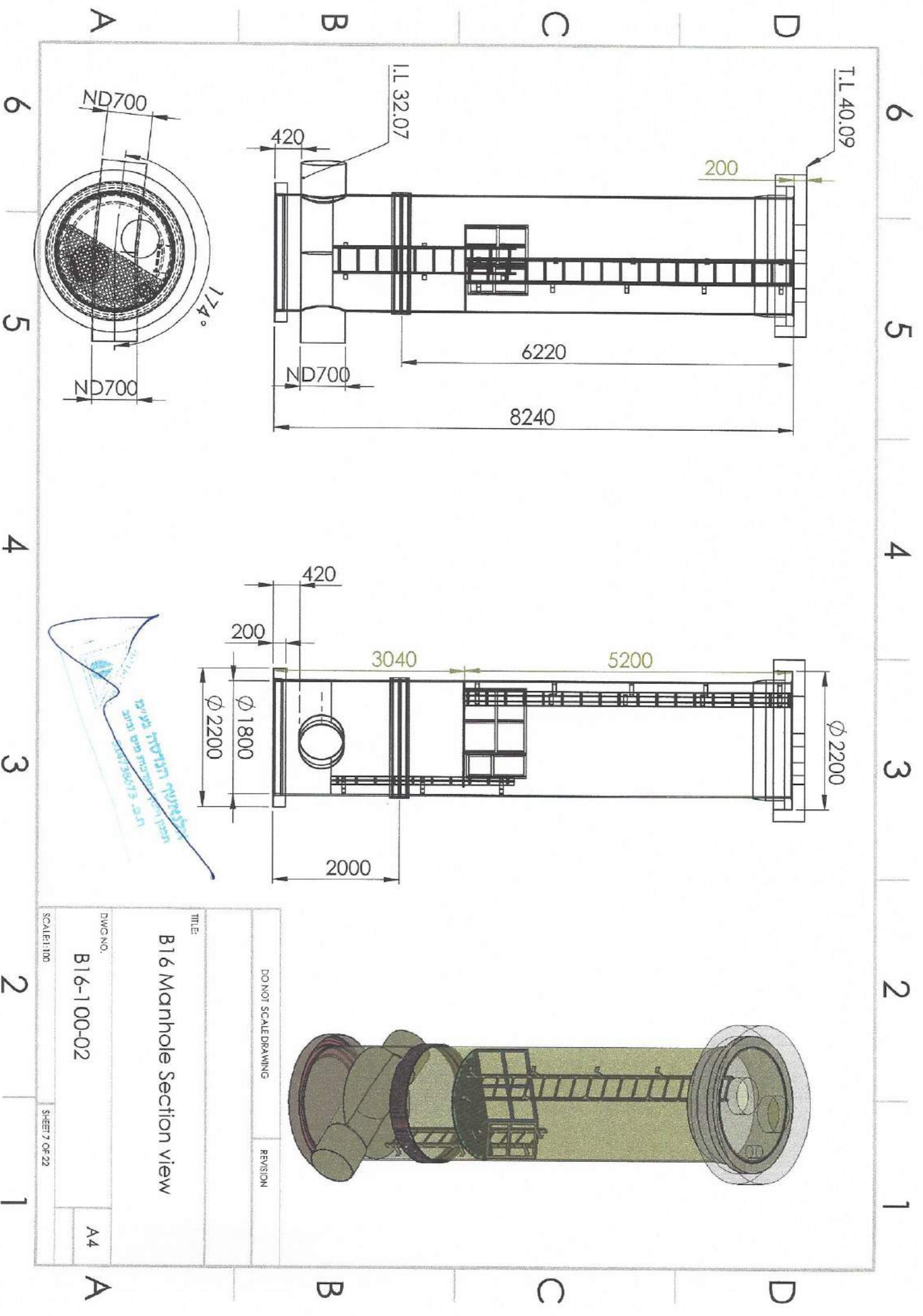
DWG NO.

B15-100-02

SCALE:1:100

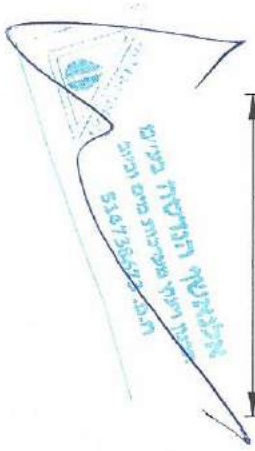
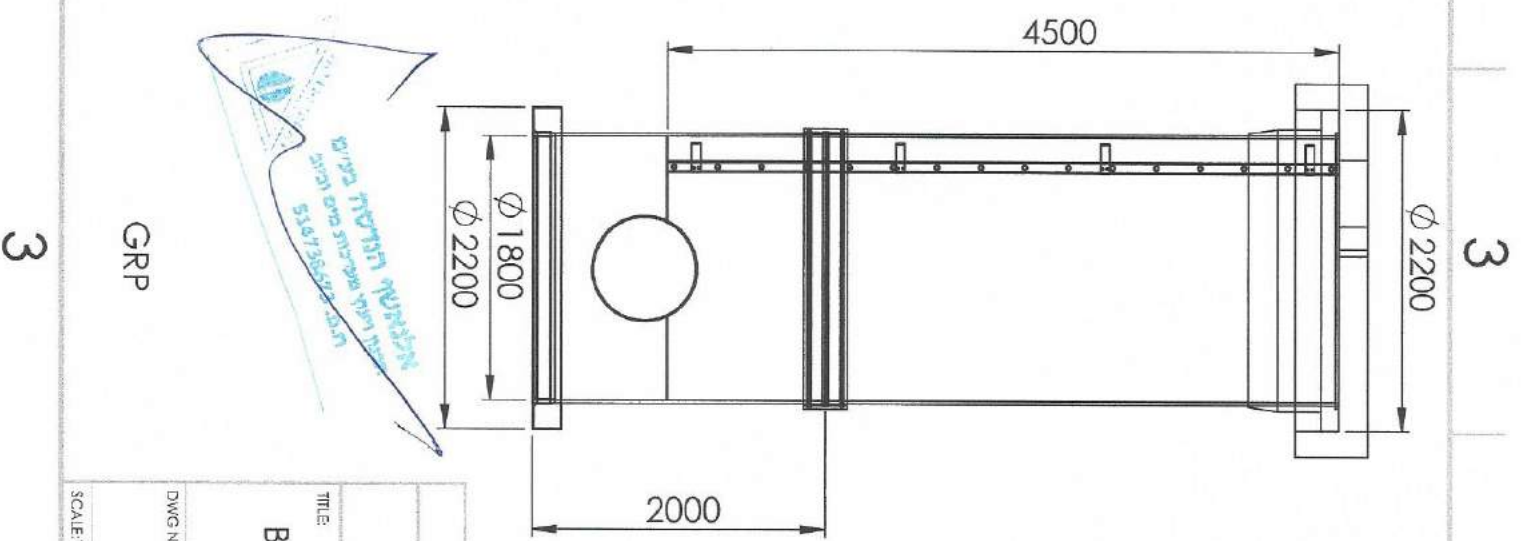
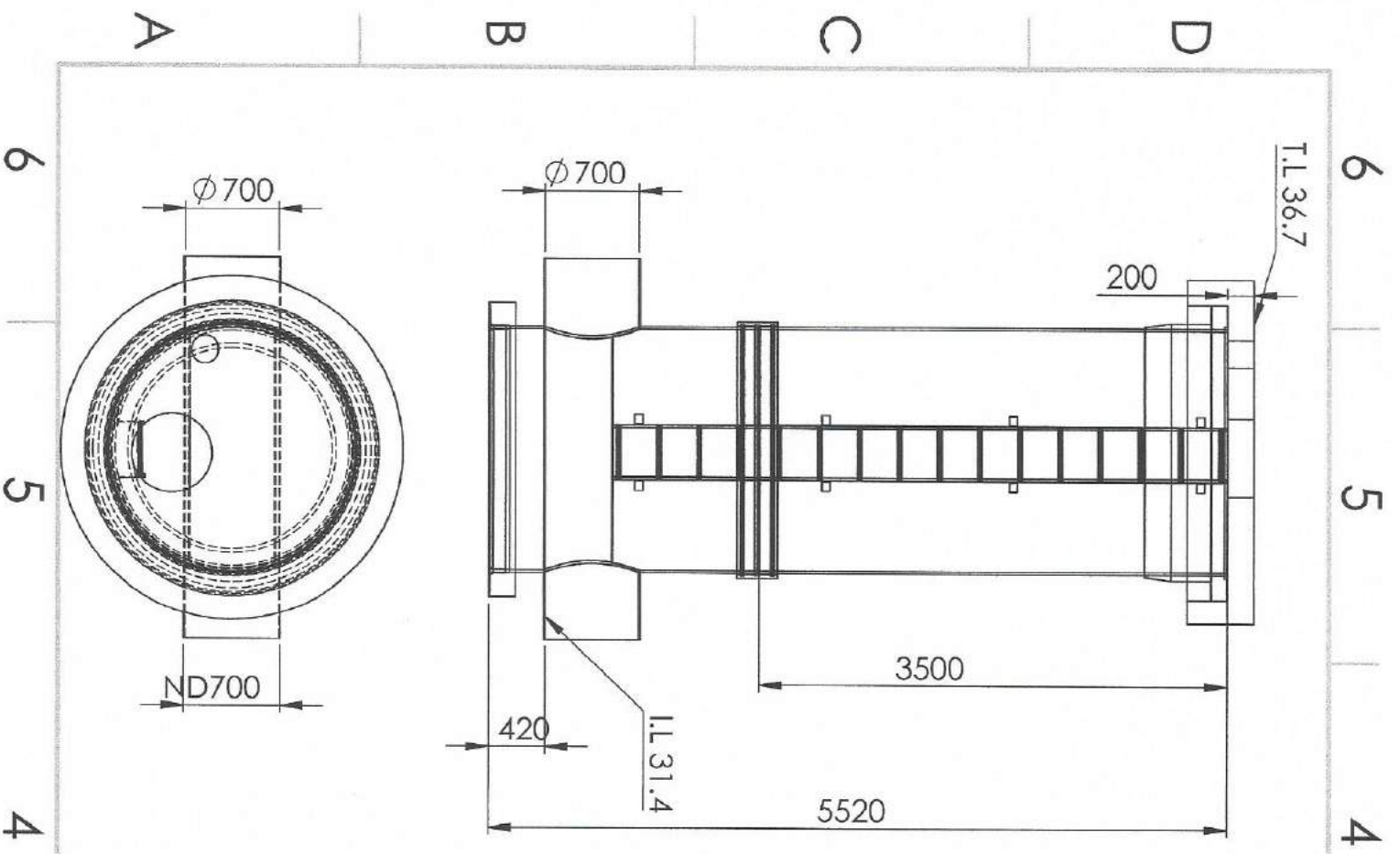
SHEET 8 OF 23

A4



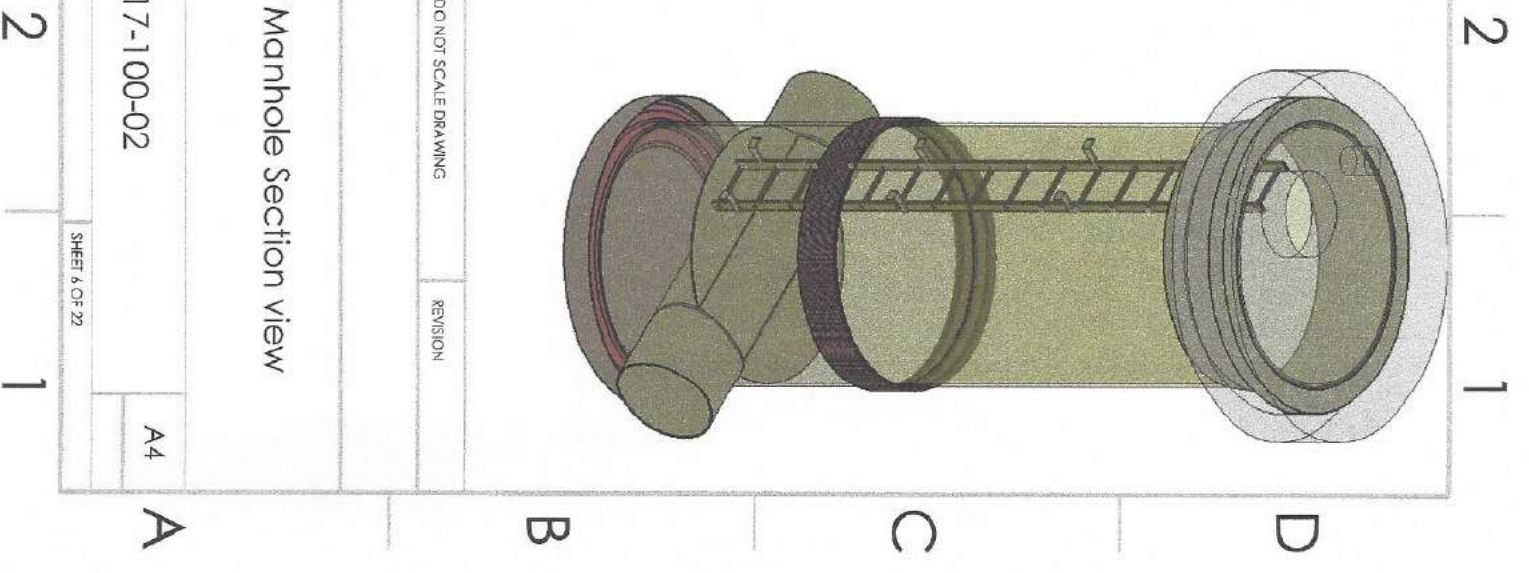
19/07/2011 11:00:00
 19/07/2011 11:00:00
 19/07/2011 11:00:00

DO NOT SCALE DRAWING		REVISION
TITLE: B16 Manhole Section view		
DWG NO. B16-100-02		
SCALE: 1:100		
SHEET 7 OF 22		A4

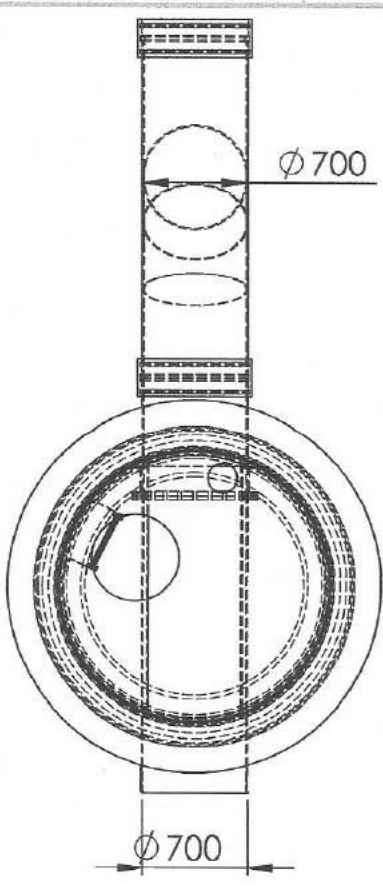
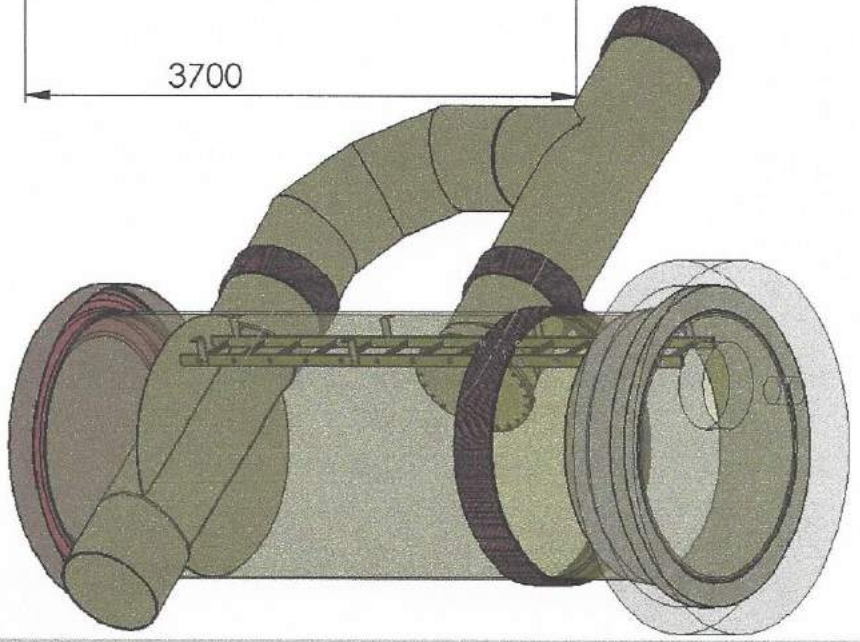
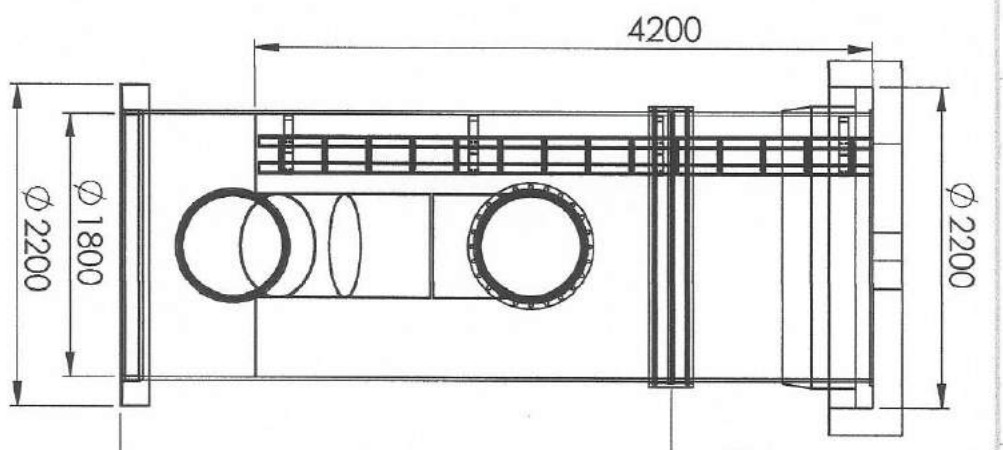
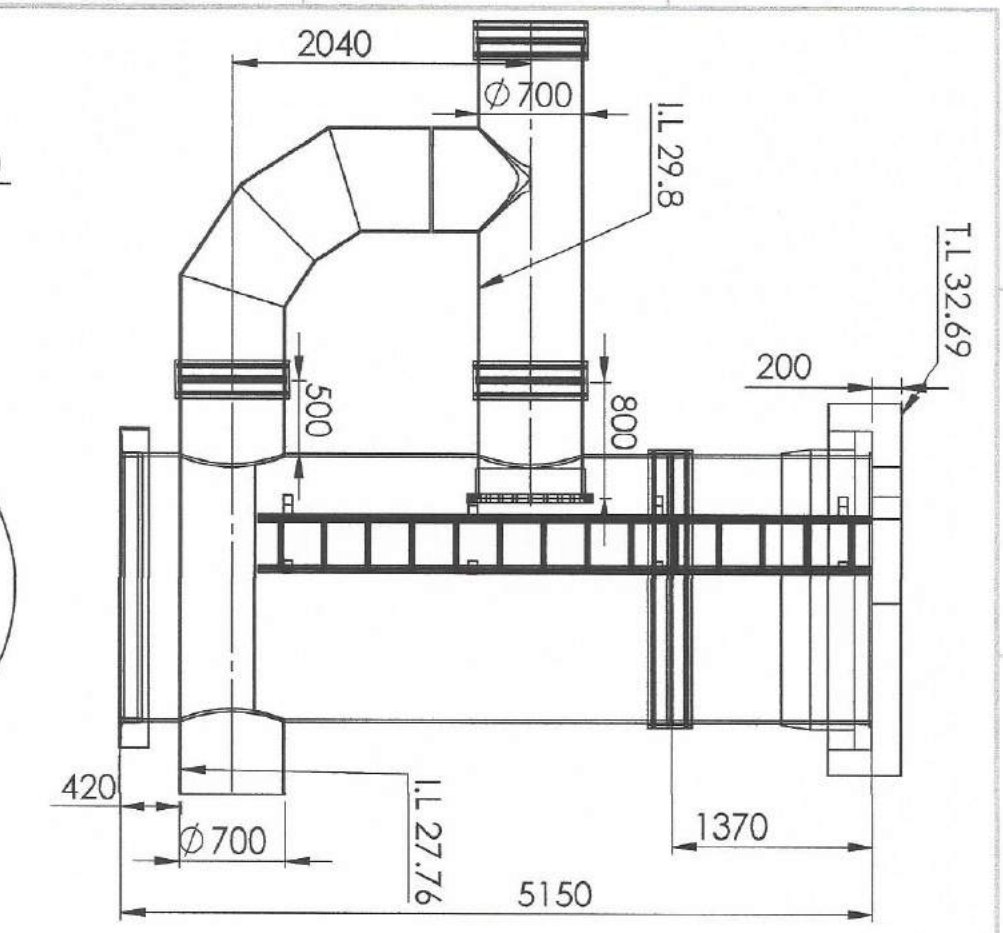


GRP

DO NOT SCALE DRAWING		REVISION
TITLE B17 Manhole Section view		
DWG NO. B17-100-02		
SCALE:1:100		
SHEET 6 OF 22		A4



6 5 4 3 2 1



DO NOT SCALE DRAWING

REVISION

TITLE

B18 Manhole Section view

DWG NO.

B18-100-02

SCALE: 1:100

SHEET 5 OF 22

A4

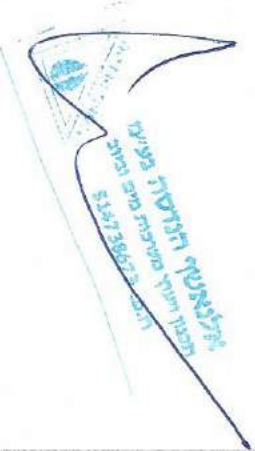
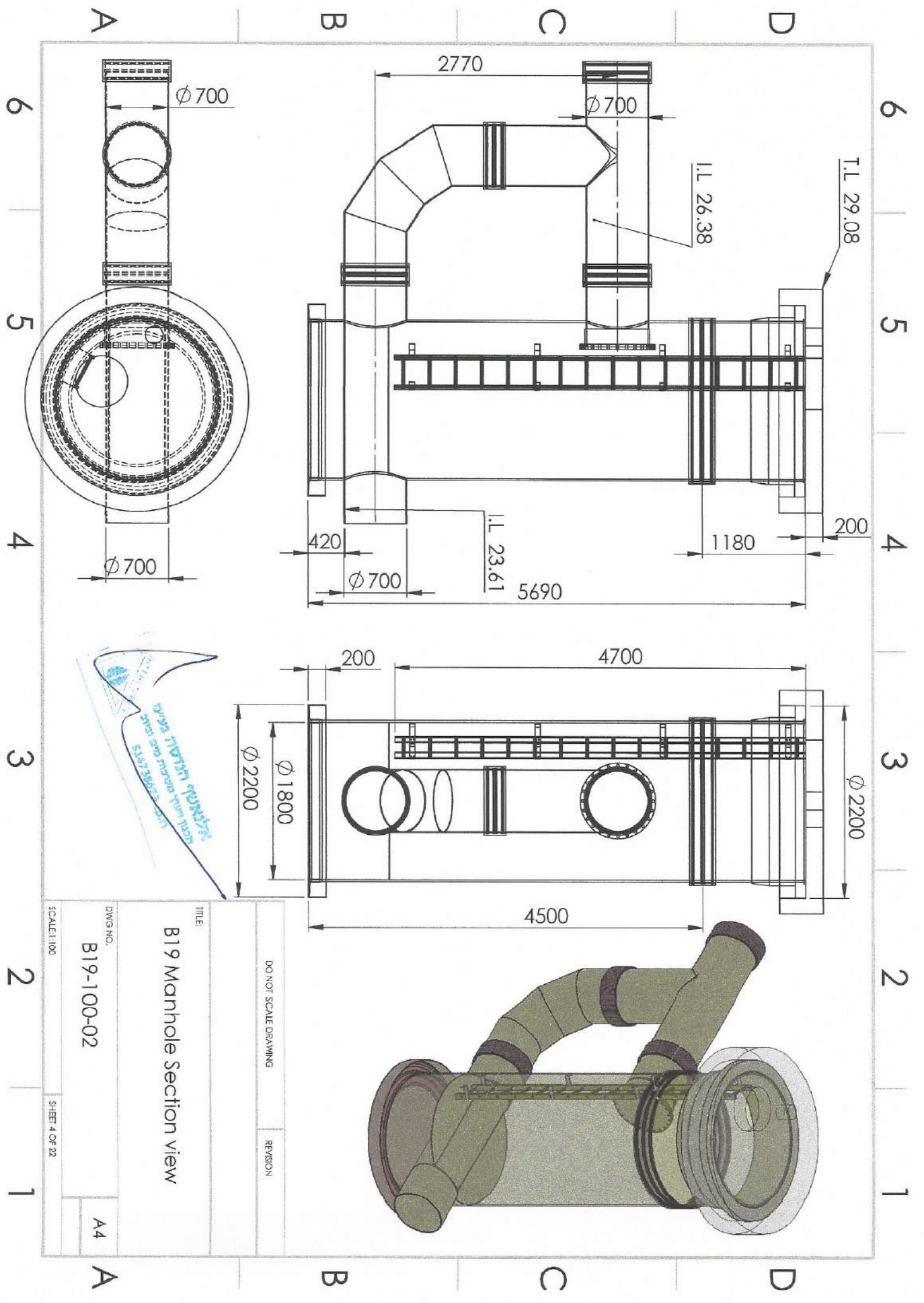
6 5 4 3 2 1

A

B

C

D



TITLE:
B19 Manhole Section view

DWG NO.
B19-100-02

SCALE: 1/100

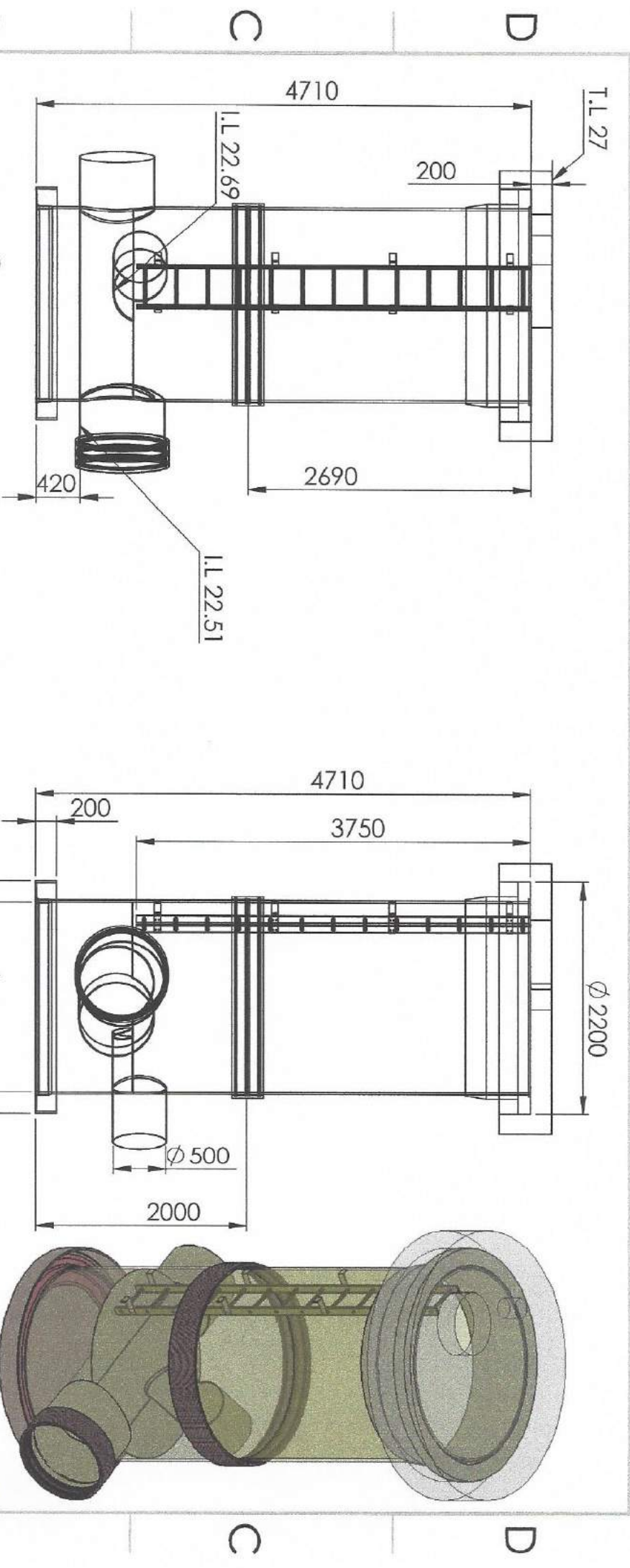
SHEET 4 OF 22

A4

DO NOT SCALE DRAWING

REVISION

6 5 4 3 2 1



UNLESS OTHERWISE SPECIFIED:
DIMENSIONS ARE IN MILLIMETERS
SURFACE FINISH:
TOLERANCES:
LINEAR:
ANGULAR:

FINISH:
DEBUR AND
BREAK SHARP
EDGES

DO NOT SCALE DRAWING
תתן את המידות הנדרשות
מאת המערכת

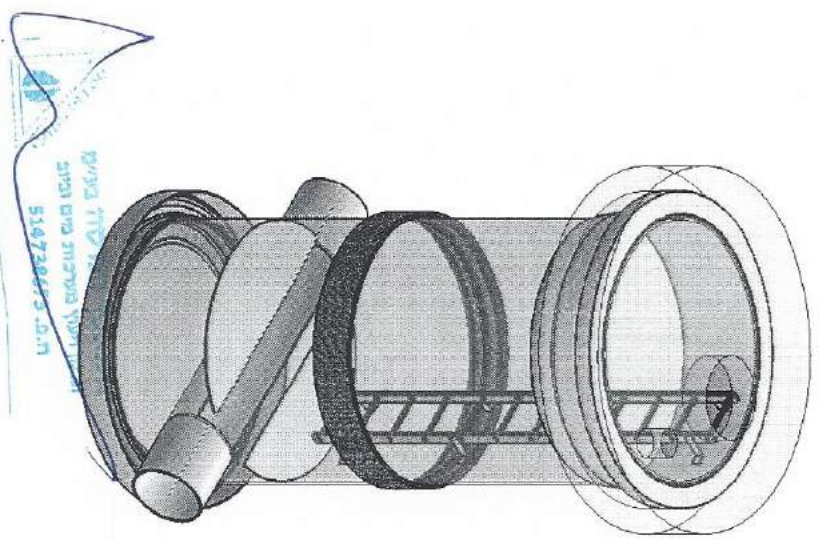
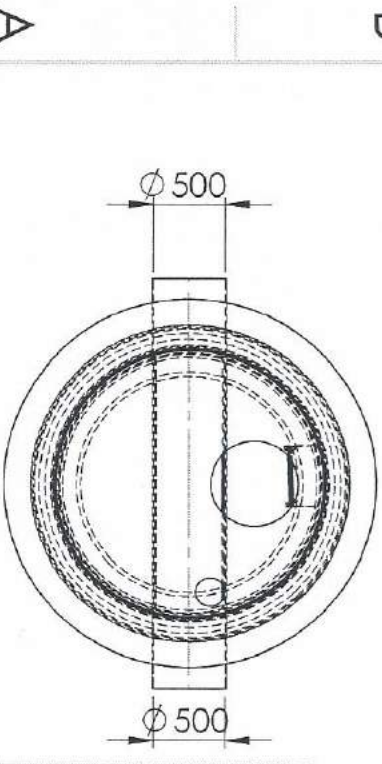
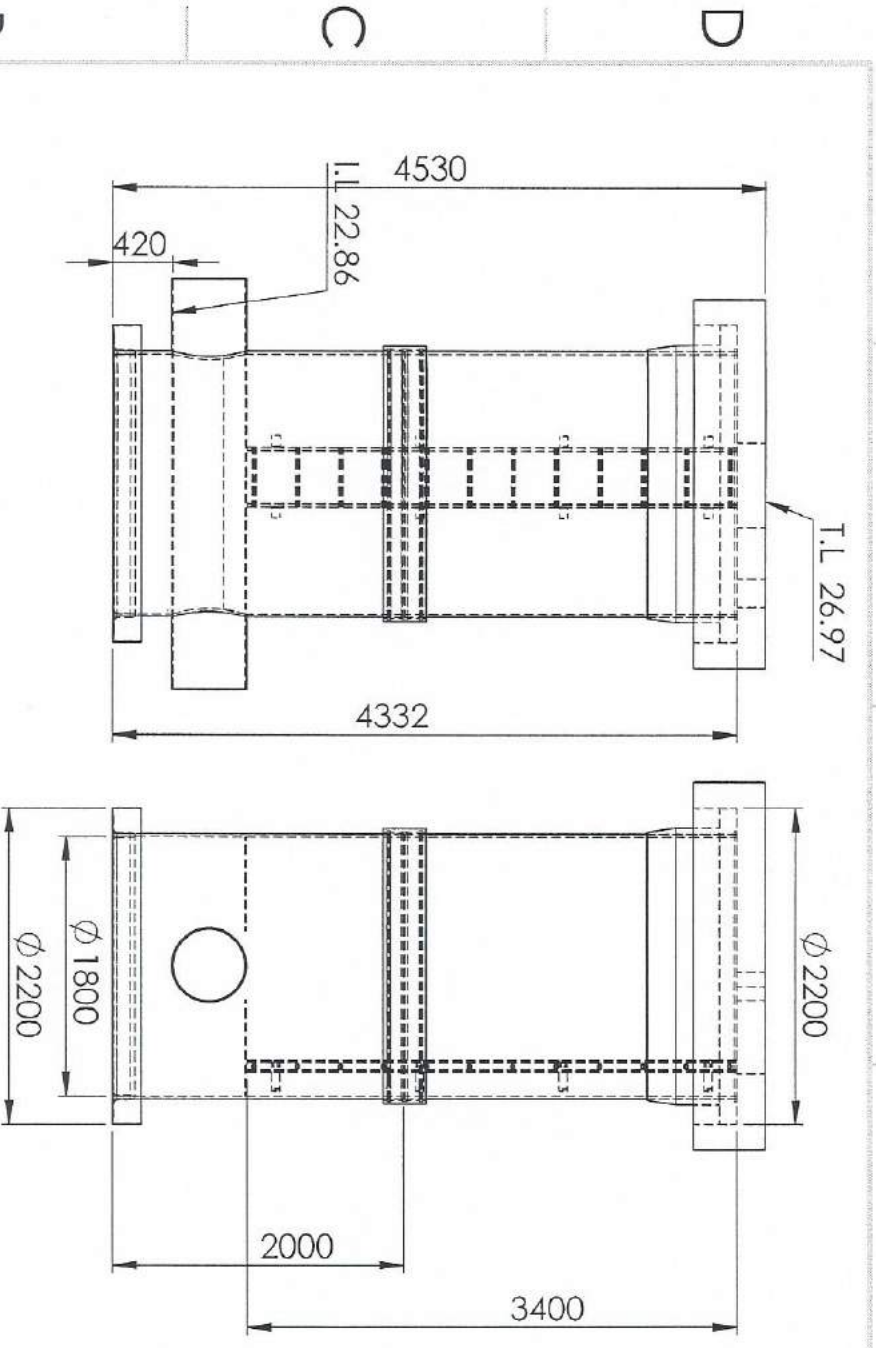
TITLE:
B20 Manhole Section view

NAME	Hillel	SIGNATURE	DATE	08-02-20																	
DRAWN																					
CHK'D																					
APP'VD																					
MFG																					
QA																					
MATERIAL:	GRP																				
DWG NO.:	B20-100-02																				
SCALE:	1:100																				
SHEET:	3 OF 32																				
A4																					

6 5 4 3 2 1

A B C D A B C D

6 5 4 3 2 1



UNLESS OTHERWISE SPECIFIED:
 DIMENSIONS ARE IN MILLIMETERS
 SURFACE FINISH:
 TOLERANCES:
 LINEAR:
 ANGULAR:

DESURE AND
 BREAK SHARP
 EDGES

DO NOT SCALE DRAWING

REVISION

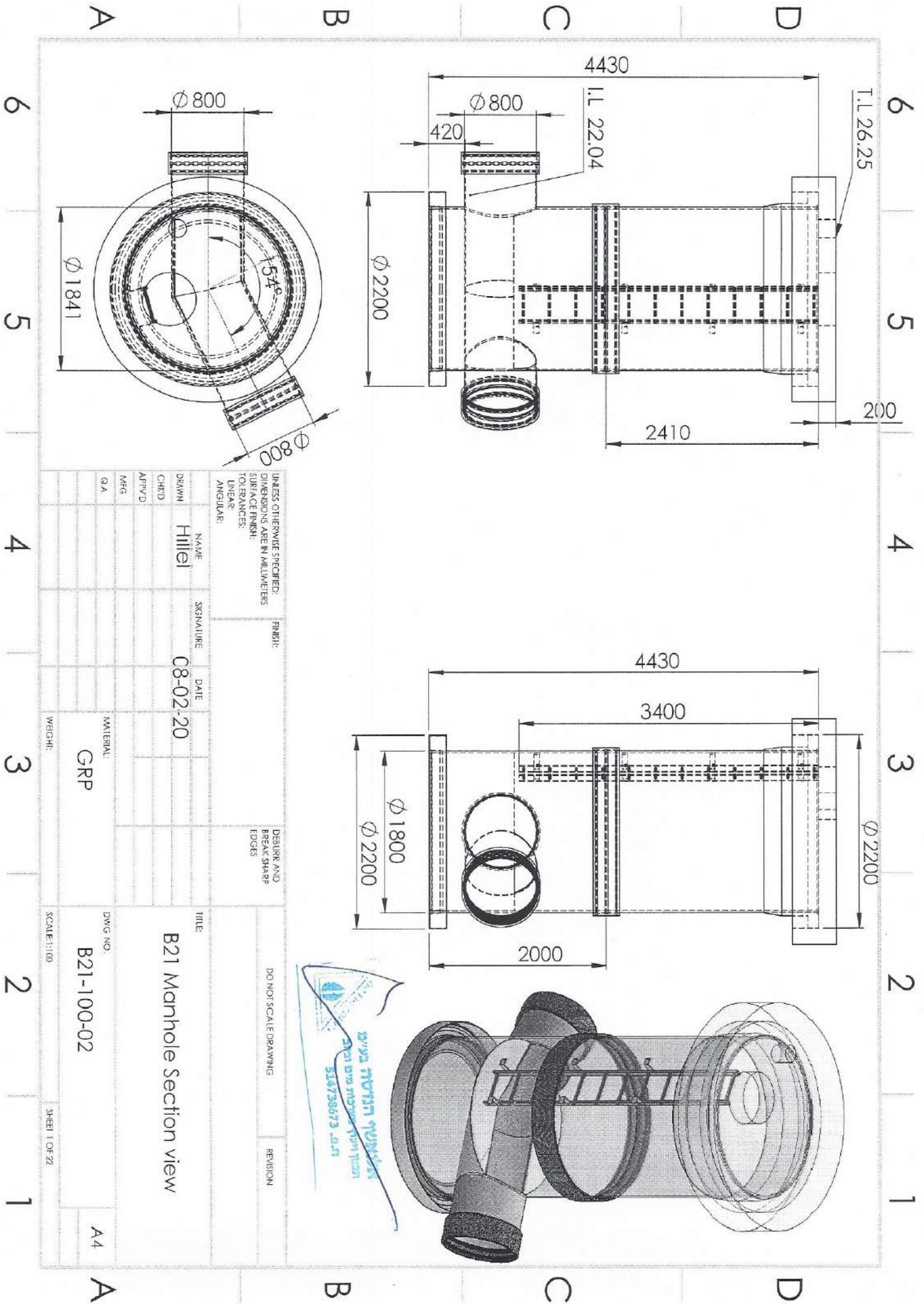
NAME	SIGNATURE	DATE
DRAWN		
CHKD		
APPV'D		
MFG		
Q.A		

TITLE: B20A

DWG NO. Manhole Drawing A4

SCALE: 1:100

SHEET 2 OF 22



T.L. 26.25

200

4430

I.L. 22.04

420

2410

4430

3400

∅ 2200

∅ 1800

∅ 2200

2000

UNLESS OTHERWISE SPECIFIED:
DIMENSIONS ARE IN MILLIMETERS
SURFACE FINISH:
TOLERANCES:
LINEAR:
ANGULAR:

FINISH:

DEBURR AND
BREAK SHARP
EDGES

DO NOT SCALE DRAWING

REVISION

NAME
Hillel

SIGNATURE

DATE
08-02-20

TITLE

B21 Manhole Section view

DRAWN

CHK'D

APP'VD

MFG

QA

MATERIAL:

GRP

DWG NO.

B21-100-02

A4

SCALE: 1:100

SHEET 1 OF 22

